



TASTE THE **KINETICO** DIFFERENCE

Kinetico K5 Drinking Water Station®



**Protection against a wide
variety of contaminants**

Maximum water efficiency

**Flexible and expandable to
meet any drinking water need**





What Makes the Kineticco K5 Drinking Water Station Different?

Cartridge Options Eight different options to meet your removal needs now and in the future. Includes the Purefecta® Virus/Bacteria Guard* for microbiologically pure water. The Mineral Plus+ cartridge improves the taste and health benefits of water by adding magnesium and calcium back into the treated water. Cartridges also available for arsenic, chloramines+, chlorine/sediment, sediment, perchlorate+ and VOC reduction. Final polish with carbon postfilter.

Air Charge Tank Technology Delivers a strong flow of water from the faucet.

High Daily Production Can produce more than 20 gallons per day.

Quick Disconnect Sanitary Filter Cartridges Makes changing filters easy.

Patented, Exclusive EverClean® Rinse Consistently-high water quality. Increases membrane life – lowers maintenance cost.

PureMometer® Filter Life Indicator Shows filter capacity.

Patented, Tamper-Proof MACguard® Filter No more wondering when to change cartridges. Assures high quality water and peace of mind.

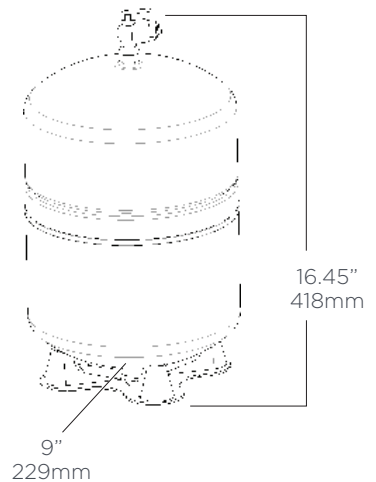
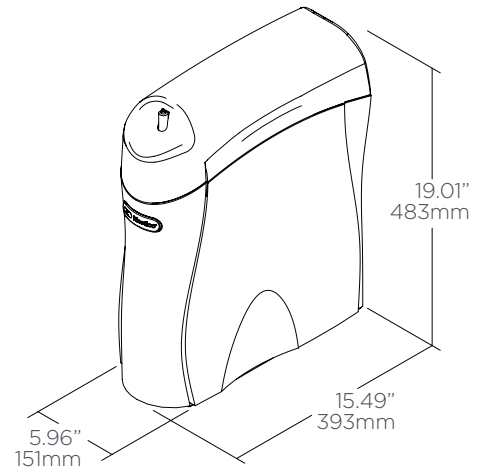
Automatic System Shutdown Conserves water – doesn't run water continuously to drain.

Exclusive Designer Faucet Lead-free, stylish design available in a variety of finishes.

Non-Electric, Totally Automatic No electrical problems.

Efficient Operation Conserves water, lower operating costs.

Outstanding Warranty Dependability, peace of mind.



*Other storage tanks available.

*Tested and certified by WQA against NSF P231 -microbiological water purifiers.

+ Tested and verified by independent laboratory testing.

Independent Laboratory Certification



The Kineticco K5 Drinking Water Station is Test and Certified by WQA against NSF/ANSI Standards 42, 53, 58 and 372 for the reduction claims specified on the Performance Data Sheet. Conforms to CSA Standard B483.1 - Drinking Water Treatment Systems and NSF Protocol P231 - Microbiological Water Purifiers (refer to the Performance Data Sheet for individual contaminants and reduction performance).

When used in conjunction with an air charge tank and prefilter (Part Nos. 9309A or 9461A), the Kineticco K5 Drinking Water Station equipped with the Purefecta Virus/Bacteria Guard cartridge is Tested and Certified by WQA against NSF P231-Microbiological Water Purifiers.



*Air charge tank is not made in the USA.

www.kineticco.com

©2021 Kineticco Incorporated

Part No. 17723

08/2021