



KINETICO PREMIER SERIES® XP WATER SOFTENERS

Owner's Manual • Guide d'utilisation • Manual del usuario



Model/Product Numbers:

S150 XP (16531)

S250 XP (16532)

S250 OD XP (16533)

S350 XP (16534)

S550 XP (16535)

S650 XP (16536)

S650 OD XP (16537)

Q850 XP (16538)

Q850 OD XP with Activated Carbon(16539)

Q850 OD XP with Chloraban® (16540)

HIGH PERFORMANCE WATER SOFTENERS AND COMBINATION SYSTEMS

OWNER'S MANUAL



Unit shown with
optional Kinetico
SuperKit®

Congratulations for choosing Kinetico to improve the quality of your water. You will immediately begin to notice the numerous benefits of having quality water throughout your home and the benefits of having a Kinetico Quality Water System.

Since 1970, Kinetico Incorporated has designed and manufactured products to improve the quality of your water. Kinetico offers a complete line of quality water systems to solve your water problems. Pioneers in non-electric, demand operated water treatment, Kinetico continually sets the direction for the entire water quality industry.

© 2019 Kinetico Incorporated

"Kinetico," the Kinetico logo, "Premier Series", and "Overdrive" are registered trademarks in the United States, other countries or both, of Kinetico Incorporated, Newbury, Ohio.

TABLE OF CONTENTS

Kinetico Water Softeners and Combination Systems	5
What Makes Your Kinetico Premier Series® XP Water Softener Different Is What Makes It Better	7
How Your Water System Works	9
Kinetico Combination Systems	10
Maintaining Your Water System	12
Changing the Filter	12
Adding Regenerant	13
XP Regeneration Meter	14
Manual Regeneration	14
By-pass	14
Cold Weather Protection	15
Sanitizing the System	15
Iron Cleaning	15
Salt Bridge	15
Commonly Asked Questions	16
Glossary of Terms	18
Softening System Diagram	19
Maintenance Record	20
Version Francaise	F1
Version Espanõl	E1

Kinetico Incorporated

10845 Kinsman Rd.
Newbury, Ohio, 44065
USA
www.kinetico.com

Kinetico Canada Incorporated

21 Parr Blvd., Unit 10
Bolton, ON L7E 4G3
Canada
www.kinetico.com

Kinetico Denmark

ApS
Sandvadsvej7
4600 Køge
Denmark

Kinetico UK Limited

Bridge House
Park Gate Business Centre
Chandler's Way
Park Gate SO 311FQ
England
www.kinetico.co.uk

Kinetico France

Sarl
B.P. 80528 Osny
95528 Cergy-Pontoise Cedex
France
www.kinetico.fr

Kinetico Germany GmbH

Bunzlauerstrasse 12-D
Höher-Grenzhausen
Germany 56203

KINETICO WATER SOFTENERS AND COMBINATION SYSTEMS

Now that your Kinetico water system is installed, you can enjoy all the benefits of having soft water. If you are not accustomed to soft water, here are some tips to follow to get the most benefit from your new system:

HOW TO USE SOFT WATER

Use pure soap products.

Most leading brands of laundry soaps, household cleaners and shampoos contain large amounts of detergent. The harsh chemicals in these detergents are necessary when using hard water, but you can reduce your use or eliminate them altogether with soft water. We recommend you use pure soap products; clear liquid soaps without dyes and perfumes. If you continue to use your normal detergent, you should significantly reduce the amount used. Your local, authorized Kinetico dealer can provide you with more information and recommended detergent amounts.

Use less soap and household cleaners.

When using soap or cleaners with soft water, start by cutting the amount of soap you normally use in half. You may even find you can use as little as one-quarter the amount you were using before. Hardness minerals in water interfere with soap's cleaning ability. Once they are removed, soap can do its job better. Even though you'll use less soap, you'll get more suds and cleaner results.

It's especially important to reduce the amount of laundry soap you use. Washing clothes in soft water not only means you'll need less soap to get your clothes clean, but also that the soap you do use will rinse out completely. Washing in soft water makes your clothes look whiter and brighter, and they'll last longer too. It is very important not to let your clothes sit in the washer after the cycle is complete. Otherwise, mildew and a musty smell could develop. Detergent buildup can stain your clothing. Again, Kinetico recommends that you use clear, liquid soaps, without dyes or perfumes.



After bathing in soft water, your skin should feel "slippery." It's not soap left on your skin. What you're feeling is your own smooth skin without any leftover soap curd or residue. When you bathed in hard water, you were never able to rinse this residue off completely. The soap curd that left a ring in your bathtub was also left on your skin. But now that you have soft water, you'll feel soft, smooth and clean. The same holds true for rinsing shampoo out of your hair.

3 Reduce or eliminate the use of fabric softeners.

Fabrics washed in hard water retain soap curd or residue making them “crackle” when removed from the dryer or stiff if air-dried. Fabric softeners are necessary with hard water to keep your clothing soft, but with soft water, you can reduce your use of fabric softeners or eliminate them altogether.

4 Take special precautions with automatic dishwashers.

Soft water, when combined with caustic phosphates in some dishwasher detergents and very high temperatures in the dry cycle, can etch dishes and glassware. To prevent this possibility:

- use the “no heat” dry cycle on your dishwasher;
- use the minimum amount of a good quality, low phosphate dishwasher detergent needed to clean your dishes. This may be as little as 20 percent of the amount recommended by the appliance manufacturer or on the dishwasher soap box;
- wash fine china and crystal by hand.

5 Special care for plants and fish.

Depending on your water hardness level, amount of rainfall and how often you water, you could use soft water for outside watering, but why waste your soft water? Water your lawn, shrubs and outside plants from an outside hard water faucet or put your Kinetico water system in by-pass before watering. See “By-pass” on page 14 for instructions on by-passing your system. Many houseplants can be watered with soft water, although some houseplants can be highly sensitive to the elevated level of sodium ions in soft water. You may prefer to water houseplants with hard water or water from a Kinetico reverse osmosis system.



Fish accustomed to hard water may have trouble with an abrupt change to soft water. Make the change gradually over a period of seven to 14 days by blending hard and soft water until the tank contains 100 percent soft water. Once you begin using soft water, you should notice that your fish tank stays cleaner longer.

WHAT MAKES YOUR KINETICO PREMIER SERIES® XP WATER SOFTENER DIFFERENT IS WHAT MAKES IT BETTER

Kinetico water systems are powered by the energy of moving water, not electricity. So there's nothing to plug in, no buttons to push, timers to set and reset, or adjustments to make. You really don't need to do anything special to operate your Kinetico water system—it runs itself.

Your Kinetico water system has a built-in water meter which means it operates “on demand” based on your actual water usage. With demand operation, your Kinetico water system can regenerate at any time of the day or night and you'll still have plenty of soft water available. It regenerates when necessary, so a simple flush of the toilet or run of the faucet can send your Kinetico water system into regeneration. Depending on your water usage, your Kinetico water system could regenerate more frequently (if you have a house full of guests, for instance) or not at all for several days (if you're on vacation). Demand operation ensures maximum efficiency while providing you with a continuous supply of soft water — even as your water usage changes.

The actual regeneration process of a Kinetico water system is different from other systems. Kinetico water systems use a process called countercurrent regeneration (instead of an old fashioned, 4- or 5-cycle regeneration) which has long been recognized as the optimum process for regenerating a resin bed (Fig. 1). Kinetico is able to effectively use this process since our water systems regenerate with soft water.

The twin tank design of a Kinetico water system provides you with a continuous supply of soft water any time of day, even through the regeneration process. When one tank needs to regenerate, service automatically switches to the other tank (Fig. 2). So go ahead and do a week's worth of laundry in one day. Your Kinetico water system can handle it.

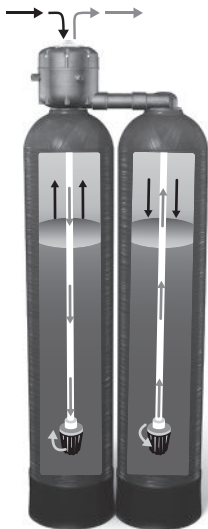


Fig. 1

Highly Efficient Regeneration

Kinetico systems clean themselves with soft water using countercurrent regeneration. This process reduces regenerant and water usage and regenerates the resin beads more effectively.



Fig. 2

Twin Tank Design

Twin tanks provide an uninterrupted supply of soft water, 24 hours a day.

OVERDRIVE® ENHANCED

Select Kinetico softening, filtration and combination systems are Overdrive enhanced for maximum performance and efficiency. With Overdrive, you can expect better flow without compromising water quality.

Overdrive directs the flow of water through both tanks of the system simultaneously during service cycles. Water flow is distributed evenly between the tanks, increasing flow, increasing contact time with media and decreasing pressure loss through the system. During a regeneration cycle, one tank is available to provide normal service flow. When the cycle is complete, both tanks are immediately placed back into service.

Should you have any questions or need any assistance, contact your local, authorized Kinetico dealer.

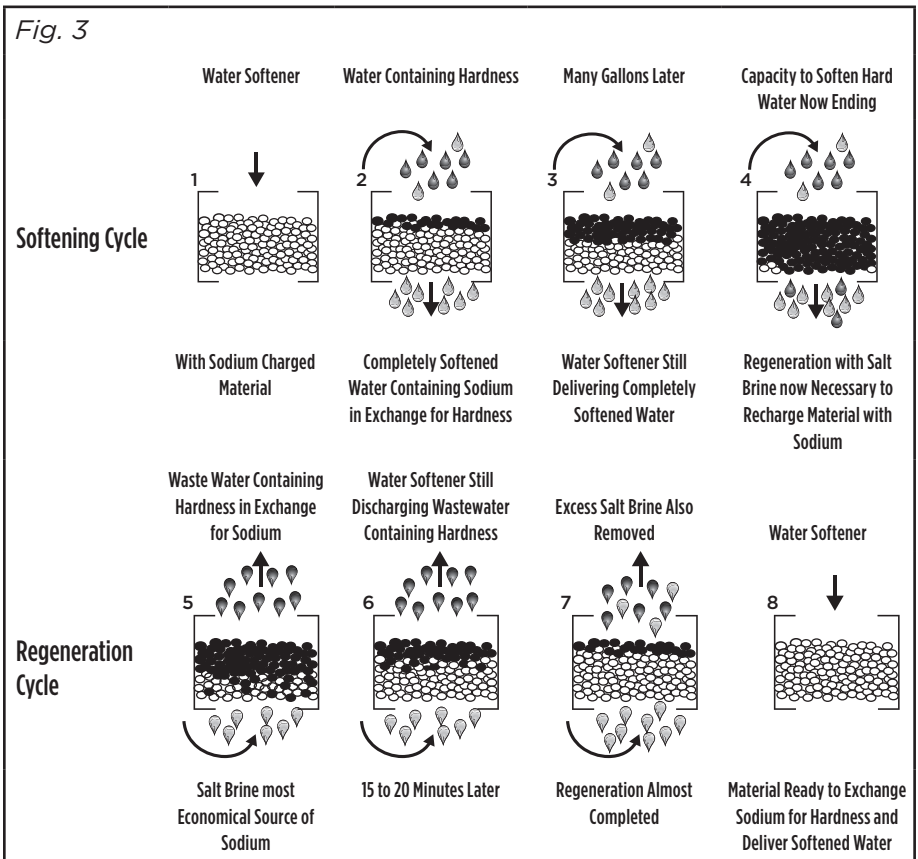
NOTE: *Repair leaky faucets, toilets or pipes to ensure proper product performance.*

HOW YOUR WATER SYSTEM WORKS

Hard water contains calcium and magnesium. Your Kinetico water system contains resin beads, which hold sodium ions. When hard water passes through the resin beads (Fig. 3) inside a Kinetico water system, the beads attract and hold the calcium and magnesium ions in exchange for sodium. After this ion exchange process, the water leaving your Kinetico water system is soft.

Once the resin bed is loaded with calcium and magnesium ions, it must be cleansed (or regenerated) so that it can continue to soften water. The salt in your salt storage tank mixes with water to wash the resin beads. The brine solution loosens the hardness minerals which have built up on the resin beads; then the system backwashes and flushes the hardness minerals and salt solution away.

Once this is complete, the resin beads hold sodium ions. The system is again ready to exchange the sodium ions for more calcium and magnesium ions.



Unlike most other systems, the Kineticico water system's cleaning or regeneration process is done with soft water. Since you already know what a difference cleaning with soft water can make throughout your home, it only makes sense that the Kineticico water system cleans itself with soft water too. And only clean, soft water is used to make the salt solution in the salt storage tank.

KINETICO COMBINATION SYSTEMS

Your Kineticico combination system is two systems in one! It provides additional filtration capabilities above and beyond the softening performed by a standard Kineticico water system. Kineticico combination systems have the same great features that make our water systems so unique (see "What Makes Your Kineticico Premier Series XP Water System Different..." section of this manual) as well as additional technology designed to provide you with the best water possible.

KINETICO OFFERS THE FOLLOWING COMBINATION SYSTEMS:

Premier Series Q850 XP and Q850 OD XP -Activated Carbon*

High efficiency water softening system with two tanks of activated carbon for whole-house dechlorination. Reducing chlorine in your water allows you to enjoy odor-free showers, eliminate the skin-drying effects of chlorine, and prevent premature fading/bleaching of your favorite clothing and linens.

Premier Series Q850 OD XP -Chloraban®

High efficiency water softening system with two tanks of Chloraban for whole-house dechloramination. Reducing chloramine in your water allows you to enjoy odor-free showers, eliminate the skin-drying effects of chloramine, and prevent premature fading/bleaching of your favorite clothing and linens.

** Overdrive directs the flow of water through both tanks of the system simultaneously during service cycles.*

Chlorine/Chloramine reduction is not part of Standard 44 NSF/ANSI certification.

CARE AND MAINTENANCE OF YOUR COMBINATION SYSTEM

To ensure your Kinetico combination system continues to operate at peak performance, follow the procedures outlined in the “Maintaining Your System” section of this owner’s manual.

The concentration of chlorine/chloramine in a water supply will determine the life of the carbon/Chloraban in combination systems. You will have to replace the carbon/Chloraban in your system when you begin to notice the return of a chlorine/chloramine odor in your water. Expect to replace the carbon/Chloraban every few years as a general rule, although it may last longer if your water supply does not contain high levels of chlorine/chloramine.

Because Kinetico’s filtration media is automatically cleaned during regeneration, it requires no additional maintenance.

If you have additional questions about the operation and maintenance of your Kinetico combination system, please contact your local, authorized Kinetico dealer.



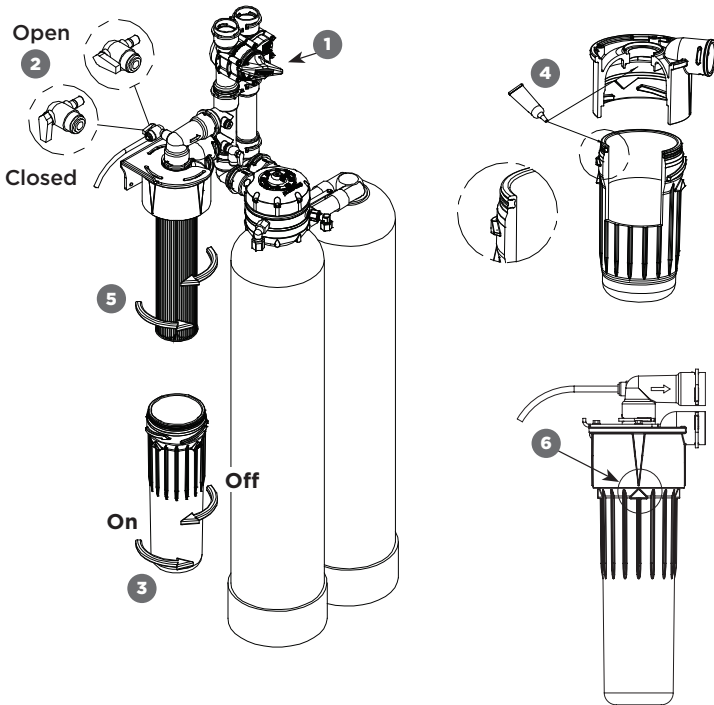
Q850 OD XP
Combination System

MAINTAINING YOUR WATER SYSTEM

Your Kinetico water system is engineered to provide you with quality water without requiring extensive maintenance. However, some routine maintenance is necessary to keep your system working properly.

CHANGING THE FILTER

Your Kinetico system may use an optional in-line filter to remove solid material from the inlet water supply. Periodically, the filter cartridge will require replacement. This should occur when the water pressure in the home begins to gradually decrease. The frequency of the filter change is determined by the amount of water used and the solid material content of your water supply.



Procedure

1. Turn off the feed water to the filter by turning the by-pass valve **1** to the BY-PASS position*.
2. Slowly turn the handle on the pressure relief valve **2** to the OPEN position**. Allow at least one minute for system to depressurize and to minimize spillage.
3. When depressurized, remove the filter sump **3** by turning it clockwise (when viewed from above) with two hands.
4. Remove the new cartridge and all contents from the protective packaging, and slide the bag over the used cartridge.
5. Remove the used cartridge by turning it clockwise. Discard used cartridge with the bag, or clean and store for reuse.
6. Inspect and clean the sump seal and adapter O-ring, if necessary. Using the included packet of silicone, lubricate entire seal, O-ring and the sealing surface in the filter head **4**.

NOTE: USE A SILICONE LUBRICANT ONLY. The use of any other lubricant, including a petroleum-based lubricant, to install the O-rings is not in accordance with Kinetico's installation recommendations and may void the applicable Limited Warranty.

7. Install the new cartridge into the cartridge adapter by turning it counter-clockwise until it stops **5**.
8. Install the filter sump by turning it counter-clockwise until it stops. IMPORTANT! Check alignment of arrows to assure proper assembly **6**.
9. Turn the handle on the pressure relief valve to the CLOSED position **2**.
10. Turn on the feed water by slowly turning the by-pass to the GREEN, "IN SERVICE" position*.

* Your by-pass valve may be different than the one illustrated.

** Pressure relief valve may be in a different location than illustrated. If necessary, contact your Kinetico dealer for assistance.

NOTE: Filter styles vary, and yours may not be exactly as previously described.

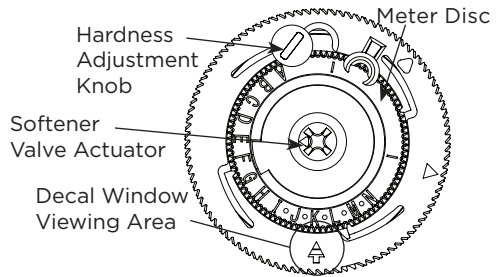
ADDING REGENERANT (water softener salt or potassium chloride)

Make sure your salt storage tank never runs out of regenerant. Refill regenerant anytime before water is visible in the brine drum or softener cabinet (on cabinet models). Use Kinetico Water Softener Salt, available from most Kinetico dealers, or another quality brand. Some salts contain foreign particles which can cause problems with your system, so be sure to use a quality grade of salt, processed especially for use in water softeners. If you choose to use potassium chloride, contact your local authorized Kinetico dealer to find out about the recommended adjustments to your system. Your Kinetico dealer can also recommend or perform a schedule of periodic maintenance. DO NOT USE ROCK SALT, as it often contains significant levels of dirt or foreign matter.

XP REGENERATION METER

This valve allows for the adjustment of regeneration frequency based on inlet water hardness. This improves system performance and reduces water consumption. The integrated system meter tracks the volume of water processed and after the adjustable set-point has been reached, the regeneration process begins. Adjustment of the hardness adjustment knob should always be made by an authorized Kinetico service representative.

Top View of Softener Valve



NOTE: Actual disc colors may vary. Colors shown are for illustration purposes only.

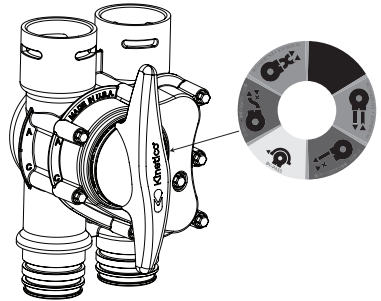
MANUAL REGENERATION

If your salt storage tank does run out of salt, you can manually regenerate the unit after adding salt. Using a #2 Phillips screwdriver, push down firmly on the softener valve screw and slowly turn clockwise to start the regeneration. At this point you should hear water begin to run through the system. If you do not hear water running through the system, the disc has not been advanced far enough. Repeat the procedure for manual regeneration after the water flow stops (11 to 90 minutes, depending on the model) to be sure both resin tanks are regenerated.

NOTE: If your hot water tank has refilled with hard water, it may take several days for it to empty and for your water to feel soft again.

BY-PASS

There may be times when you need to shut off the water supply to your entire house. To do this, set the by-pass valve to the RED, "OFF" position. No water will flow through the house. To restart the water, set the by-pass valve to the GREEN, "IN SERVICE" position. You may put the softener into by-pass at any time, if necessary, by putting the by-pass valve into the YELLOW, "BY-PASS" position. You will still get water throughout the house; however, all of the water will be untreated. To return the softener to service, set the by-pass valve to the GREEN, "IN SERVICE" position.



NOTE: By-pass styles vary and yours may not be as described. Contact your Kinetico dealer for further assistance.

COLD WEATHER PROTECTION

If your Kinetico water system is installed outside or in an area that is not heated, you may want to take precautionary measures to prevent damage to your unit from freezing.

NOTE: *Kinetico's warranty doesn't cover damage to your system due to freezing. If you have questions about your Kinetico water system, or if you suspect that it isn't working properly, contact your local, authorized Kinetico dealer.*

SANITIZING THE SYSTEM

Kinetico water systems are intended for use on microbiologically safe water supplies. If the inlet water supply's safety is compromised for any reason (for example a "Boil Alert" from a municipal supply or positive bacteria test on a well), you should by-pass the system until bacteriological safety has been restored. You should then contact your Kinetico dealer to sanitize the system before returning the system to service.

IRON CLEANING

If the inlet water supply contains iron, it is a good idea to use salt that contains an iron cleaning additive (for example, Kinetico Salt with Iron Fighter* additive). The iron cleaning additive will prevent iron from fouling the resin and keep your system in optimal condition. Alternately, you can add iron cleaning agents in powder form to the brine tank when you replenish the salt supply. Contact your Kinetico dealer for additional information about iron cleaning.

SALT BRIDGE

The regenerant in the brine tank can, under certain conditions, solidify and form a "salt bridge" preventing the system from making brine for regeneration. Conditions known to contribute to salt bridging include high humidity, low water and salt consumption, or the use of potassium chloride (KCl). If a salt bridge occurs, you can attempt to break up the solidified salt by carefully poking the salt with a stick or broom handle.

*Iron Fighter is a licensed trademark of Cargill, Incorporated.

COMMONLY ASKED QUESTIONS

There has been a drop in my home's water pressure. What can be the cause?

During system regeneration a temporary drop in water pressure may occur. A reduction in your home's water pressure can also indicate that it is time to change your filter. See pages 12 and 13 for instructions on changing the filter. If you do not have a filter with your system or changing the filter has no effect, contact your local, authorized Kinetico dealer.

My system seems to be regenerating more frequently. Is this normal?

Remember, your Kinetico system is demand-operated, adjusting automatically to your water usage. If you do not think that your water usage has increased due to extra house guests, additional laundry or some other reason, check for any leaky plumbing, dripping faucets or running toilets; all of which can contribute to more frequent regenerations.

My water doesn't seem soft. How can I be sure that my system is regenerating properly?

Be sure that the water supply to the softener is not by-passed. Follow the instructions on page 14 to manually regenerate the softener tanks. If the unit does not begin advancing to the next regeneration automatically, please contact your local, authorized Kinetico dealer for further assistance.

I can hear my Kinetico system running or regenerating during the day. My old softener only used to run at night. Is this normal?

Single tank, electric water softeners tend to be set to regenerate at night because of the unavailability of soft water during the regeneration process. Unlike traditional water softeners, Kinetico systems operate on demand based on your water usage, without timers or electronics. So your system regenerates whenever necessary, at any time of day. And Kinetico's twin tank design allows one tank to provide treated water while the other regenerates, so you'll never be without soft water.

How will I know when it is time to add salt?

Lift the lid of the brine tank to check the level of salt. If you can see water, it is time to add salt. You can add salt anytime there is enough room to accommodate at least one bag. However, keep in mind that keeping the brine tank completely full of salt can contribute to salt bridging (see page 15).

Is it OK to drink soft water?

Yes, soft water is OK for drinking and cooking. If your softener regenerates with sodium chloride (salt), keep in mind that there will be a small amount of sodium added to the softened water (see page 13). People who are on sodium-restricted diets should consider the added sodium as part of their overall sodium intake. For the highest quality drinking water possible, a Kinetico reverse osmosis drinking water system will remove as much as 98 percent of total dissolved solids from your water.

If at any time you feel your Kinetico water system is not operating properly, put the system in by-pass and call your local, authorized Kinetico dealer. To assure that the barium and radium reduction capability of the system is maintained, make sure the system is working effectively. Soft water indicates that the reduction of contaminants will occur as expected. Contact your local dealer for information and directions for the procedure to test your water hardness.



C US

Kinetico Premier Series® XP Water Softeners are tested and certified by WQA against the requirements of NSF/ANSI Standard 44 for softener performance and chemical reduction of barium and radium 226/228. They are also certified to NSF/ANSI 372, Drinking Water System - Lead Content and the CSA Standard B483.1 - Drinking Water Treatment Systems.

*Q850 OD XP w/Chloraban® is not Tested and Certified by WQA.



GLOSSARY OF TERMS

Automatic: Softeners or back-washing filters that start regeneration via clock.

Backwash: High velocity rinsing of softening resin or filtration, normally upflow.

Brine: Salt solution used to regenerate resin.

Brine Tank: Holds salt to make brine for regeneration.

By-pass: Manually operated valves to divert flow around POE equipment, or, automatic diversion of flow inside a controller for single tank POE during regeneration.

Carbon: Activated carbon found in POE equipment for dechlorination, taste and odor reduction.

Chloraban®: High performance filtration media with exceptional chloramine reduction capability, for taste and odor reduction.

Combination System: Duplex combination filter / softener system using four separated media tanks and one control.

Counter-current: Direction of service flow and regeneration flow are opposite.

DIR: Demand initiated regeneration.

Downflow: Direction of water flow with gravity through resin or filtration media.

Efficiency: Referring to grains of hardness removed / pound of salt for a water softener.

gpg: Grains per gallon of hardness.
1 US gpg = 17.1 ppm of hardness as CaCO₃.

gpm: Gallons per minute.

gpp: Grains per pound (salt efficiency).

Macrolite® RX: Engineered ceramic filtration media.

Meter: Device to measure flow to service from POE softener or filter for DIR.

Micron: Micrometer (µm) for solid particle diameter.

Overdrive: Parallel service flow, i.e., water flows through both tanks simultaneously.

ppm: Parts per million.

Peak flow rate: Maximum design process flow for intermittent high demand through POE filter or softener.

POE: Point of Entry. A system installed where water enters the home.

psi: Pounds per square inch.

Regeneration: The process of restoring exchange capacity to a softener.

Resin: For POE softeners, strong acid cation exchange beads operating in the sodium or potassium form.

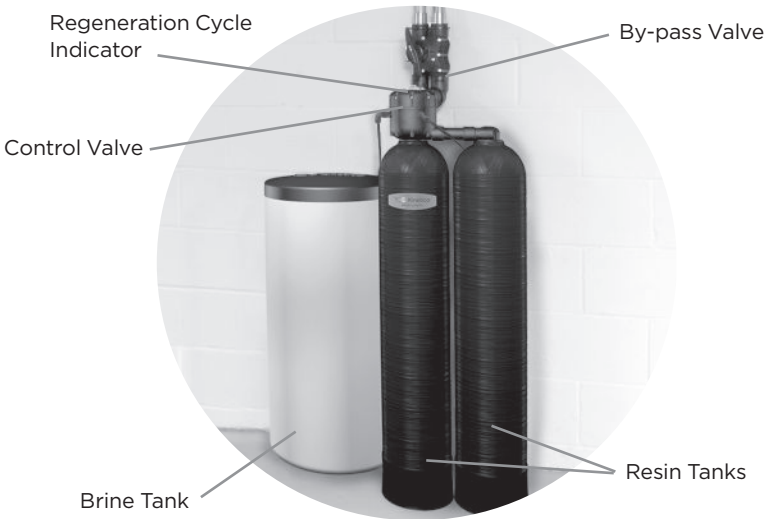
Sanitize: The periodic addition of a sanitizing agent such as chlorine to attempt microbiological control.

Service flow: Process water flow rate through a POE system, often measured at the point of 15 psi lost.

Simplex: Softener or filter using one media tank.

Upflow: Direction of water flow against gravity through resin or filtration media.

Softening System Diagram



Dealer Name: _____

Dealer Address: _____

Web Address: _____

E-mail Address: _____

Dealer Phone: _____

Salesperson's Name: _____

Model Number: _____

Date Installed: _____

Number of People in Household: _____

Meter Disk Number: _____

Hardness: _____ gpg

Ferrous Iron: _____ ppm

Ferric Iron: _____ ppm

pH: _____

TDS: _____ ppm

Hydrogen Sulfide: _____ ppm

Temperature: _____

Pressure: _____

ADOUCCISSEURS D'EAU ET SYSTÈMES COMBINÉS À HAUTE PERFORMANCE

GUIDE DE L'UTILISATEUR



Appareil présenté avec
Kinetico SuperKit^{MC} en
option

Nous vous félicitons d'avoir choisi Kinetico pour améliorer la qualité de votre eau. Vous constaterez immédiatement les nombreux bienfaits d'une eau de qualité dans toute la maison et les avantages des matériels Kinetico.

Depuis 1970, Kinetico est le pionnier des systèmes non-électriques et volumétriques de conditionnement d'eau (filtration, adoucissement, purification). Une technologie continuellement innovante et un engagement total au service du client ont permis à Kinetico de se distinguer et de se positionner comme un leader dans l'industrie du traitement de l'eau. Nous continuons de concevoir, construire et proposer à nos clients des systèmes de traitement de l'eau originaux et toujours plus performants.

TABLE DES MATIÈRES

Adoucisseurs d'eau et systèmes combinés performants Kinetico	F3
Votre adoucisseur d'eau Kinetico Premier Series ^{MC} XP est meilleur parce qu'il est différent	F5
Fonctionnement de votre adoucisseur d'eau.	F7
Les Systèmes combinés Kinetico	F8
Entretien de votre matériel.	F10
Remplacement du filtre.	F10
Ajouter du régénérant	F11
Compteur de régénération XP	F12
Régénération manuelle.	F12
Mise hors circuit	F12
Protection contre le froid	F13
Désinfection du système.	F13
Nettoyage du fer.	F13
Le pont de sel	F13
Questions fréquentes.	F14
Glossaire	F16
Système d'adoucissement	F17
Journal d'entretien	F18

Kinetico Incorporated

10845 Kinsman Rd.
Newbury, Ohio, 44065
USA
www.kinetico.com

Kinetico Canada Incorporated

21 Parr Blvd., Unit 10
Bolton, ON L7E 4G3
Canada
www.kinetico.com

Kinetico Denmark

ApS
Sandvadsvej7
4600 Køge
Denmark

Kinetico UK Limited

Bridge House
Park Gate Business Centre
Chandler's Way
Park Gate SO 31 1FQ
England
www.kinetico.co.uk

Kinetico France

Sarl
B.P. 80528 Osny
95528 Cergy-Pontoise Cedex
France
www.kinetico.fr

Kinetico Germany GmbH

Bunzlauerstrasse 12-D
Höher-Grenzhausen
Germany 56203

ADOUCCISSEURS D'EAU ET SYSTÈMES COMBINÉS PERFORMANTS KINETICO

Maintenant que votre adoucisseur Kinetico est installé, vous pouvez profiter de tous les avantages de l'eau douce. Si vous n'avez pas l'habitude d'une eau douce, voici quelques conseils pour profiter le mieux possible de votre appareil : Comment utiliser de l'eau douce

UTILISATION DE L'EAU DOUCE

1 Employer des produits à base de savon pur.

La plupart des grandes marques de lessive, de produits ménagers de nettoyage et de shampoings contiennent une grande quantité de détergent. Les composés chimiques agressifs présents dans ces produits sont nécessaires lorsque vous utilisez une eau dure, mais vous pouvez en diminuer l'utilisation avec une eau douce. Avec celle-ci, nous vous recommandons d'utiliser des produits à base de savon naturel, des savons liquides transparents sans colorant ni parfum. Si vous continuez d'utiliser des produits détergents classiques, vous devrez diminuer les quantités utilisées. Votre distributeur Kinetico régional peut vous apporter plus d'informations et vous indiquer les quantités de détergent recommandées.

2 Utiliser moins de savon et de produits de nettoyage.

Lorsque vous diluez du savon ou des produits de nettoyage avec de l'eau douce, divisez par deux la quantité utilisée. Vous constaterez qu'un quart seulement de la dose recommandée suffit. Le calcaire, présent dans l'eau et responsable de la dureté, diminue le pouvoir nettoyant du savon. Une fois qu'il est retiré, le savon retrouve son efficacité. Bien que vous utilisiez moins de savon, vous obtiendrez plus de mousse et une plus grande propreté.

Il est particulièrement important de réduire la quantité de savon utilisée. Laver vos vêtements en eau douce signifie que vous avez besoin de moins de savon pour les rendre propres mais également que le savon doit être rincé complètement. Le lavage à l'eau douce rend votre linge plus blanc, les couleurs plus éclatantes et vous permet de garder votre linge en bon état plus longtemps. Il est conseillé de ne pas laisser le linge tremper dans l'eau une fois le cycle de lavage terminé car l'accumulation de détergent en eau dure ternit vos vêtements. Sinon, le mildiou et une odeur de moisi pourrait se développer. Là encore, Kinetico recommande que vous utilisiez des savons liquides purs, sans colorants ni parfums.

Après vous être lavé à l'eau douce, votre peau vous semble « glissante » au toucher. Ce n'est pas un résidu de savon. Cette sensation est celle de votre peau naturelle plus douce, sans dépôt ou résidu de savon d'eau dure. Lorsque vous vous laviez en eau dure, vous ne parveniez pas à rincer le savon complètement. Le résidu de savon qui laissait une marque de niveau grasse dans votre baignoire se déposait de la même façon sur votre peau. Maintenant que vous avez de l'eau douce, vous ressentirez cette sensation de peau douce, lisse et propre. Il en sera de même au rinçage de vos cheveux après un shampoing.



3 Réduire ou éliminer l'utilisation d'assouplissant pour le lavage du linge.

Les tissus, lavés en eau calcaire, s'imprègnent de résidus de savon d'eau dure qui les rendent « rêches » lorsque vous les retirez de la sècheuse ou même « feutrés » lorsqu'ils sèchent à l'air libre. Les assouplissants étaient indispensables pour donner de la souplesse à votre linge lorsque vous utilisiez de l'eau dure. Avec l'eau douce, vous pouvez réduire voire complètement éliminer l'utilisation d'assouplissant.

4 Faites particulièrement attention avec les lave-vaisselle automatiques.

L'eau douce, lorsqu'elle interagit à très haute température avec les phosphates caustiques présents dans certains détergents pour lave-vaisselle, peut décaper la vaisselle et les articles en verre. Afin d'éviter cet effet :

- utilisez le cycle de séchage « sans chaleur » de votre lave-vaisselle;
- utilisez la quantité minimale requise d'un détergent de bonne qualité, faible en phosphates, pour nettoyer votre vaisselle. Cette quantité peut correspondre à aussi peu que 20 pour cent de la quantité recommandée par le fabricant de l'électroménager ou celle indiquée sur la boîte de détergent;
- lavez à la main la porcelaine et les articles en cristal.

5 Soins particuliers pour les plantes et les poissons.

Selon le niveau de dureté de votre eau, la quantité de pluie et la fréquence d'arrosage, vous pouvez utiliser de l'eau douce pour arroser vos plantes extérieures, mais pourquoi gaspiller votre eau douce ? Arrosez votre pelouse, vos buissons et vos plantes de jardin à partir d'un robinet extérieur alimenté en eau de conduite brute ou bien mettez votre adoucisseur hors circuit avant d'arroser (Voir les instructions de la section « Mise hors-circuit » à la page F12). De nombreuses plantes d'intérieur peuvent être arrosées à l'eau douce. Certaines peuvent cependant être très sensibles au niveau légèrement plus élevé d'ions Sodium dans l'eau douce. Dans ce cas, il peut être préférable d'arroser vos plantes d'intérieur avec de l'eau dure ou de l'eau produite par le système d'eau de boisson Kineticico Plus.



Les poissons habitués à l'eau dure risquent de rencontrer des problèmes si vous passez brutalement à l'eau douce. Changez l'eau progressivement sur une période de sept à quinze jours en mélangeant l'eau douce et l'eau dure jusqu'à ce que l'aquarium ne contienne plus que de l'eau douce. Une fois qu'il sera en eau douce, vous remarquerez que votre aquarium reste propre plus longtemps.

VOTRE ADOUCISSEUR D'EAU KINETICO PREMIER SERIES^{MC} XP EST MEILLEUR PARCE QU'IL EST DIFFÉRENT

Les adoucisseurs d'eau Kinetico fonctionnent grâce à l'énergie de l'eau en mouvement et non à celle de l'électricité : pas besoin de prise électrique pour le brancher, pas de bouton à pousser ni de minuterie ou de programme à régler. Vous n'avez vraiment pas besoin de savoir comment fonctionne votre adoucisseur Kinetico, il travaille tout seul, sans vous.

Votre adoucisseur Kinetico est équipé d'un compteur d'eau qui fonctionne à la demande » en fonction de la quantité d'eau utilisée. Grâce à ce fonctionnement volumétrique, votre adoucisseur Kinetico peut régénérer à n'importe quelle heure du jour ou de la nuit. Il se régénère lorsque c'est nécessaire de telle façon qu'une chasse d'eau ou un robinet peut déclencher la régénération dès qu'elle est nécessaire. Il vous garantit ainsi de l'eau douce à volonté. Selon la quantité d'eau que vous utilisez, votre adoucisseur Kinetico peut régénérer plus fréquemment (si vous avez beaucoup d'invités, par exemple) ou ne pas régénérer pendant plusieurs jours (si vous êtes en vacances). Le fonctionnement à la demande apporte un maximum d'efficacité tout en fournissant de l'eau douce en continu, quelles que soient les fluctuations de votre consommation. La régénération de votre adoucisseur Kinetico est différente de celle des autres systèmes. Nos appareils utilisent un procédé appelé « régénération à contre-courant » (plutôt que la méthode de régénération à 4 ou 5 cycles complètement dépassée). Elle est reconnue depuis longtemps comme la meilleure méthode de régénération des lits de résine (Fig. 1). Kinetico est capable d'utiliser efficacement ce procédé parce que nos adoucisseurs d'eau régénèrent à l'eau douce. La régénération à contre-courant est moins efficace avec de l'eau dure.

Le concept des 2 colonnes jumelées des adoucisseurs d'eau Kinetico vous assure une production d'eau douce en continu à tout moment de la journée même pendant la régénération. Lorsqu'une des colonnes régénère, l'alimentation en eau douce est automatiquement assurée par l'autre colonne (Fig. 2). N'hésitez plus à faire la lessive de toute la semaine en une seule journée. Votre adoucisseur Kinetico répondra à votre besoin.

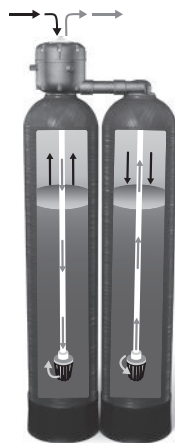


Fig. 1

La régénération à haut rendement

Les systèmes Kinetico utilisent de l'eau traitée pour la régénération à contre-courant. Ce procédé réduit la consommation de sel et d'eau et régénère plus efficacement les lits de résine.



Fig. 2

Colonnes jumelées

La conception de colonnes jumelées permet une production ininterrompue d'eau adoucie 24 heures sur 24.

FILTRATION OVERDRIVE^{MC} AMÉLIORÉE

Kinetico propose un choix d'adoucisseurs d'eau, de systèmes de filtration et de systèmes combinés en version sur-démultipliée pour un maximum de performance et d'efficacité. Avec la version « Overdrive », vous pouvez vous attendre à un meilleur débit sans altérer la qualité de l'eau. La version « Overdrive » permet de faire passer l'eau simultanément sur les deux colonnes de l'appareil, pendant le service. Le passage de l'eau est réparti de façon égale entre les colonnes permettant ainsi une augmentation du débit, un temps de contact de l'eau avec les milieux plus long ainsi qu'une diminution des pertes de pression dans le système. Pendant le cycle de régénération, une des deux colonnes est disponible pour fournir un débit nominal de base. Quand le cycle de régénération est terminé, les deux colonnes sont immédiatement remises en service simultanément.

Si vous avez des questions ou pour obtenir de l'aide, contactez votre distributeur Kinetico régional.

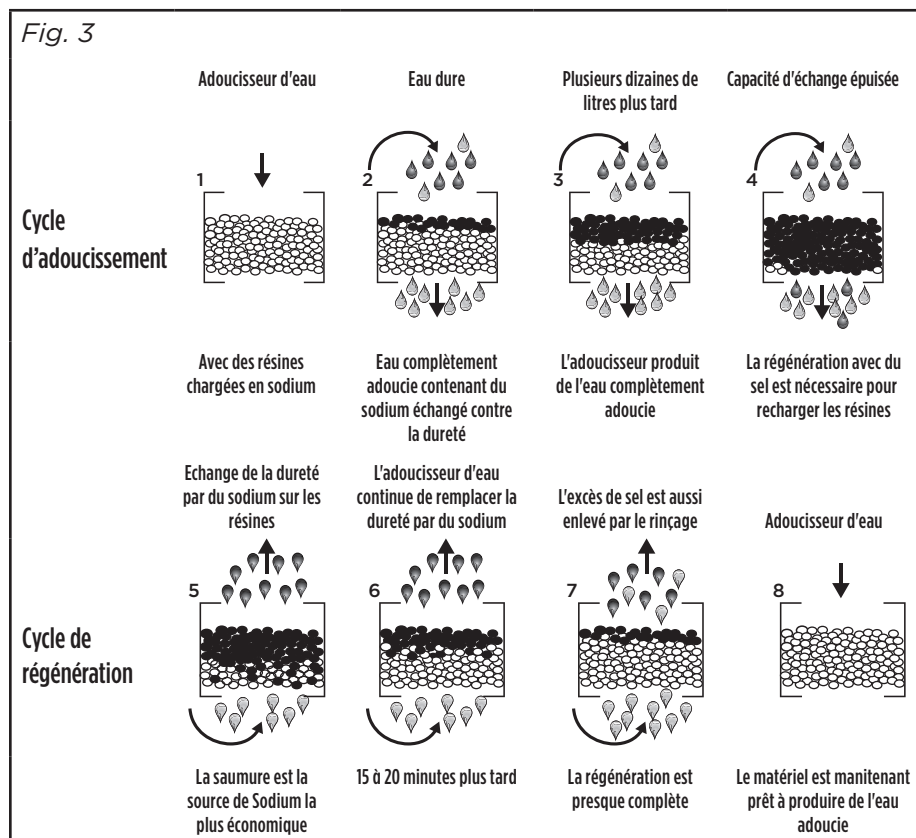
REMARQUE : Les robinets, les toilettes et les tuyaux qui fuient doivent être réparés pour assurer un bon fonctionnement de l'appareil.

FONCTIONNEMENT DE VOTRE ADOUCISSEUR D'EAU

L'eau dure contient du magnésium et du calcium. Votre système d'eau Kinetico O contient des billes de résine qui retiennent des ions sodium. Lorsque l'eau dure passe à travers les billes de résines (Fig. 3) à l'intérieur d'un système d'eau Kinetico, les billes attirent et retiennent les ions calcium et magnésium en échange d'ions sodium. Après cet échange d'ions, l'eau produite par votre système d'eau Kinetico est adoucie.

Une fois que le lit de résine est saturé d'ions Calcium et Magnésium, il doit être nettoyé (ou régénéré) de manière à pouvoir continuer à adoucir l'eau. Le sel de votre bac à sel se dilue dans l'eau pour laver les billes de résine. Cette solution d'eau salée (saumure), qui contient une concentration saturée de Sodium, détache les ions responsables de la dureté qui se sont accumulés sur les billes de résine. L'appareil procède ensuite à un lavage et à un rinçage soigneux pour éliminer les sels minéraux.

Une fois ce processus terminé, les lits de résine contiennent des ions Sodium. Le système est à nouveau prêt à échanger des ions Sodium contre des ions Calcium et Magnésium.



Contrairement à la plupart des autres appareils, le processus de « nettoyage » ou régénération de l'adoucisseur Kineticico se fait avec de l'eau douce. Puisque vous connaissez déjà la différence que peut faire l'eau douce pour le nettoyage de votre maison, il est logique que l'adoucisseur Kineticico utilise aussi de l'eau douce pour se nettoyer. L'eau douce est également utilisée pour préparer la saumure dans le bac à sel.

LES SYSTÈMES COMBINÉS KINETICO

Votre système combiné Kineticico regroupe en fait deux appareils en un! Il présente une capacité de filtration, en plus de l'adoucissement effectué par l'adoucisseur d'eau classique Kineticico. Les systèmes combinés Kineticico offrent les mêmes particularités qui font de nos adoucisseurs d'eau traditionnels des produits exceptionnels (voir la section « Votre adoucisseur Kineticico est meilleur parce qu'il est différent » dans le guide), avec en plus une technologie innovante conçue pour vous fournir la meilleure eau possible.

KINETICO PROPOSE LES SYSTÈMES COMBINÉS SUIVANTS

Premier Series Q850 XP et Q850 OD XP*

Système d'adoucissement d'eau à rendement élevé disposant de deux colonnes de charbon actif pour la déchloration totale de la maison. La suppression du chlore de votre eau vous permet d'apprécier les douches sans odeur, de supprimer l'effet « peau sèche » dont est directement responsable le chlore et vous éviterez aussi l'usure prématurée ainsi que la décoloration de vos vêtements et lainages préférés.

Premier Series Q850 OD XP -Chloraban^{MC}

Système d'adoucisseur d'eau à rendement élevé avec deux réservoirs de Chloraban pour la déchloration de toute la maison. La réduction de la chloramine permet d'apprécier des douches sans odeur, de supprimer l'effet « peau sèche » dont est directement responsable la chloramine et d'éviter aussi l'usure prématurée ainsi que la décoloration de vos vêtements et lainages préférés.

** L'Overdrive permet de faire passer l'eau simultanément sur les deux réservoirs du système pendant les cycles de service.*

La réduction de la chloramine ne fait pas partie de la certification de la norme 44 NSF/ANSI.

ENTRETIEN DE VOTRE SYSTÈME COMBINÉ (*Filtre/Adoucisseur d'eau*)

Pour garantir que votre système combiné Kinetico continue de fonctionner au mieux de ses performances, effectuez les procédures présentées dans la section « Entretien de votre adoucisseur d'eau » du guide de l'utilisateur.

La concentration de chlore/chloramine dans l'alimentation en eau déterminera la durée de vie du carbone/Chloraban dans les systèmes combinés. Vous devrez remplacer le carbone/Chloraban dans votre système lorsque vous commencez à remarquer le retour d'une odeur de chlore/chloramine dans l'eau. En règle générale, vous pouvez prévoir de remplacer le carbone/Chloraban après quelques années, bien qu'il puisse durer plus longtemps si votre système d'alimentation en eau ne contient pas de concentrations élevées de chlore/chloramine.

Comme le milieu filtrant de Kinetico est nettoyé automatiquement, il ne nécessite pas de maintenance supplémentaire.

Si vous avez des questions supplémentaires concernant le fonctionnement et l'entretien de votre système combiné Kinetico, contactez votre distributeur Kinetico régional.



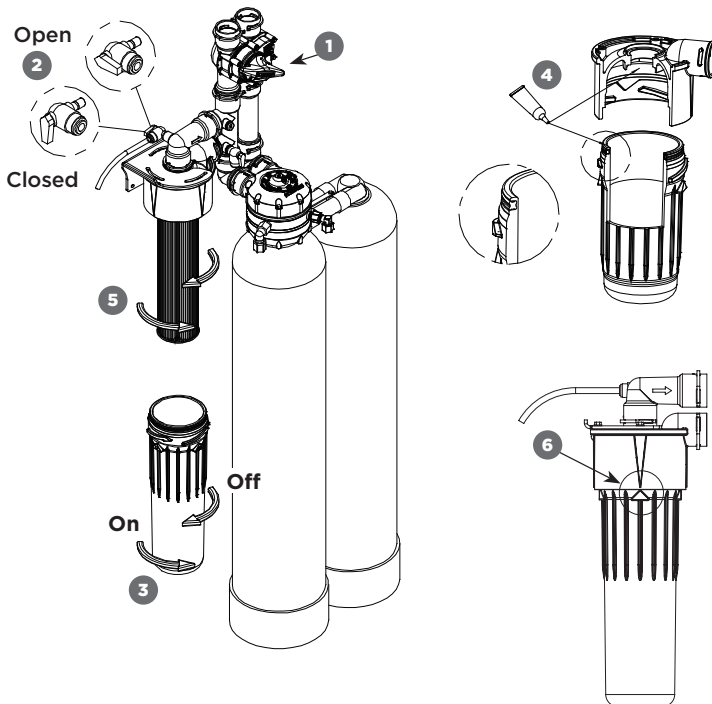
Q850 OD XP
Système combiné

ENTRETIEN DE VOTRE MATÉRIEL

Votre adoucisseur Kinetico a été conçu pour vous fournir une eau de qualité et ne requiert pas de maintenance lourde. Cependant, un entretien courant est nécessaire pour que votre appareil puisse continuer de fonctionner correctement.

REPLACEMENT DU FILTRE

Votre appareil Kinetico est équipé d'un filtre en ligne pour éliminer les particules solides qui se trouvent dans l'eau. La cartouche du filtre doit être remplacée périodiquement, c'est-à-dire lorsque la pression de l'eau dans la maison commence à diminuer progressivement. La durée de vie du filtre dépend de votre consommation d'eau et des caractéristiques spécifiques de votre eau.



Procédure de remplacement du filtre avec le by-pass Kinetico

1. Couper l'alimentation d'eau du filtre en amenant la soupape de dérivation **1** en position BY-PASS (dérivation)*.
2. Tournez lentement le robinet de la soupape de décharge **2** jusqu'à la position OPEN (ouvert)**. Laissez le système se dépressuriser durant au moins une minute, de façon à réduire au minimum les écoulements d'eau.
3. Une fois le système dépressurisé, retirez le corps du filtre **3** en le tournant dans le sens des aiguilles d'une montre (lorsque vu du dessus), à l'aide des deux mains.
4. Retirez la nouvelle cartouche et son contenu du sac d'emballage de protection, puis glissez le sac autour de l'ancienne cartouche.
5. Retirez l'ancienne cartouche en la tournant dans le sens des aiguilles d'une montre. Mettez-la au rebut avec le sac, ou nettoyez-la et entreposez-la pour usage futur.
6. Vérifiez et nettoyez le joint d'étanchéité et le joint torique de l'adaptateur au besoin. À l'aide de la pochette de silicone fournie avec l'ensemble, lubrifiez le joint d'étanchéité au complet, le joint torique et la surface d'étanchéité de la tête du filtre **4**.
7. Installez la nouvelle cartouche dans l'adaptateur de cartouche en la tournant dans le sens contraire des aiguilles d'une montre jusqu'à sa position d'arrêt **5**.
8. Installez le corps du filtre en le tournant dans le sens contraire des aiguilles d'une montre jusqu'à sa position d'arrêt. ATTENTION ! Vérifiez l'alignement des flèches pour vous assurer que l'assemblage des pièces est adéquat **6**.
9. Tournez le robinet de la soupape de décharge jusqu'à la position CLOSED (fermé) **2**.
10. Ouvrir l'eau d'alimentation en tournant lentement la soupape de dérivation à la position « EN SERVICE » en vert*.

*Votre soupape de dérivation peut différer de celle illustrée dans le présent document.

**La soupape de décharge peut être située à un endroit autre que celui illustré dans ce document. Au besoin, communiquez avec votre fournisseur Kinetico pour plus de renseignements.

REMARQUE : Les styles des filtres peuvent varier et le vôtre peut différer de celui décrit ci-dessus.

AJOUTER DU RÉGÉNÉRANT

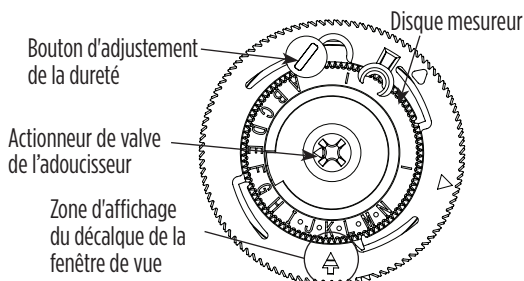
(SEL POUR ADOUCISSEUR D'EAU OU CHLORURE DE POTASSIUM)

S'assurer que le bac à sel ne manque jamais de régénérant. Ajouter du sel avant que le niveau de l'eau ne devienne visible dans le bac à sel. Utiliser du sel pour adoucisseur d'eau Kinetico, disponible auprès de la plupart des distributeurs Kinetico ou une autre marque de qualité. Certains sels contiennent des impuretés qui peuvent entraîner des problèmes au niveau de votre appareil. Toujours choisir un sel de qualité, fabriqué spécifiquement pour les adoucisseurs d'eau. Si vous choisissez du chlorure de potassium, contactez votre distributeur Kinetico régional pour connaître les réglages recommandés pour votre équipement. Il peut également vous proposer un contrat d'entretien ou effectuer lui-même un entretien régulier. NE PAS UTILISER DE SEL DE ROCHE, qui contient en général trop de salissures et de matières étrangères.

COMPTEUR DE RÉGÉNÉRATION XP^{MC}

Cette vanne permet de modifier la fréquence du régénérant selon la dureté de l'eau en entrée. Cela améliore les performances et réduit la consommation d'eau. Le compteur intégré au système suit le volume d'eau traité et une fois le point de régénération réglable atteint, le processus de régénération commence. L'ajustement de l' bouton d'ajustement de la dureté doit être fait par un technicien d'entretien Kinetico agréé.

Vu du dessus de la valve de l'adoucisseur



REMARQUE: Les couleurs du disque peuvent varier. Les couleurs sont présentées à titre indicatif.

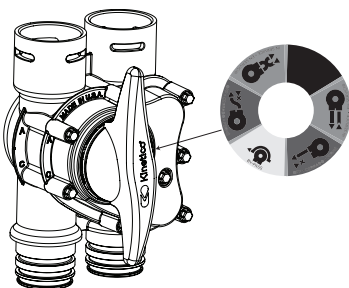
RÉGÉNÉRATION MANUELLE

Si le bac à sel manque de sel, vous pouvez effectuer une régénération manuelle de l'appareil après avoir ajouté du sel. En utilisant un tournevis cruciforme n° 2, appuyez fermement sur la vis de la valve d'adoucisseur et tourner lentement dans le sens horaire pour commencer la régénération. A ce stade, vous devriez entendre l'eau commencer à couler dans le système. Si vous n'entendez pas l'eau couler dans le système, c'est que le disque n'a pas été suffisamment tourné. Recommencer cette procédure pour la régénération manuelle lorsque l'écoulement à l'égout s'est arrêté (de 11 à 90 minutes, selon le modèle) pour être certain que les deux réservoirs de résine ont bien été régénérés.

REMARQUE: Si votre réserve d'eau chaude est remplie d'eau dure, il faut plusieurs jours pour qu'elle se vide et que l'eau soit à nouveau douce.

MISE HORS CIRCUIT

L'eau est alors coupée dans toute la maison. Pour ce faire, placer la soupape de dérivation à la position « FERMÉE » en rouge. Pour redémarrer l'écoulement de l'eau, remettre la soupape de dérivation à la position « EN SERVICE » en vert. Vous pouvez mettre l'adoucisseur en by-pass à n'importe quel moment, si nécessaire, en mettant la soupape de dérivation à la position « BY-PASS » en jaune. (hors service). L'eau continue de circuler dans la maison, sans être traitée. Pour remettre l'adoucisseur en service, placer la soupape de dérivation à la position « EN SERVICE » en vert.



REMARQUE : Les types de vannes de mise hors-service varient et nous ne pouvons pas décrire la vôtre spécifiquement. Contactez votre distributeur Kinetico régional pour plus de détails.

PROTECTION CONTRE LE FROID

Si votre adoucisseur Kinetico est installé à l'extérieur ou dans un endroit non chauffé, vous devez prendre des précautions complémentaires pour éviter que l'unité ne soit endommagée par le gel.

REMARQUE : *La garantie de Kinetico ne couvre pas les dommages dus au gel. Si vous avez des questions concernant votre adoucisseur Kinetico ou si vous pensez qu'il ne fonctionne pas correctement, contactez votre distributeur Kinetico régional.*

DÉSINFECTION DU SYSTÈME

Les systèmes d'eau de Kinetico sont prévus pour être utilisés sur des alimentations d'eau microbiologiquement sûres. Si pour une raison ou une autre, la qualité de l'eau d'alimentation est compromise (par exemple un « Niveau d'Alerte » au niveau du fournisseur d'eau ou la présence de bactéries sur des eaux de captage), mettre le système hors circuit jusqu'à ce que la sécurité bactériologique ait été restaurée. Vous devez alors contacter votre distributeur Kinetico pour désinfecter l'appareil avant de rétablir le système en position « service ».

NETTOYAGE DU FER

Si l'eau d'alimentation contient du fer, il est possible d'utiliser du sel qui contient un agent éliminant le fer (par exemple, le Sel de Kinetico avec l'additif Iron Fighter). L'additif de nettoyage du fer empêche le fer d'encrasser la résine et maintient votre système en condition optimale. Alternativement, vous pouvez ajouter des agents de nettoyage du fer sous forme de poudre dans le colonne de saumure lorsque vous ajoutez du sel. Contactez votre distributeur Kinetico régional pour des informations complémentaires sur l'élimination du fer.

LE PONT DE SEL

Les pastilles de sel dans le bac à sel peuvent, dans certaines conditions, s'agglomérer et former un « pont de sel », empêchant le système de préparer la saumure pour la régénération. Les conditions connues pour contribuer à la formation d'un pont en sel sont entre autres : un niveau d'humidité élevé, une faible consommation d'eau et de sel, ou une utilisation de chlorure de potassium (KCl). Si un pont de sel se forme, vous pouvez essayer de casser le sel solidifié petit à petit avec un bâton ou le manche d'un balai. Pour réduire au minimum le risque de formation d'un pont de sel, remplissez le bac à sel à moitié. Vous pouvez aussi envisager d'utiliser le K-Spray Brine Système (équipement optionnel disponible auprès de votre distributeur Kinetico régional) qui élimine quasiment tout pont de sel avec le Chlorure de Potassium.

QUESTIONS FRÉQUENTES

La pression de l'eau dans la maison a diminué. Quelle peut en être la cause ?

Lors de la régénération du système, il est possible qu'il y ait une baisse de pression de l'eau. Une réduction de la pression d'eau dans la maison peut également indiquer qu'il est temps de changer votre filtre. Voir la pages F10 et F11 pour les instructions concernant le remplacement du pré-filtre. Si vous n'avez pas de pré-filtre sur votre système ou si le remplacement du pré-filtre n'a pas d'effet, contactez votre distributeur Kinetico régional.

J'entends mon appareil Kinetico fonctionner ou régénérer durant la journée. Mon ancien adoucisseur ne fonctionnait que la nuit. Est-ce normal ?

Les adoucisseurs d'eau électriques à une seule colonne sont en général réglés pour régénérer la nuit parce que de l'eau douce n'est pas disponible pendant la régénération. Contrairement aux adoucisseurs traditionnels, le fonctionnement des appareils Kinetico s'adapte à votre consommation d'eau, sans minuterie ni programmation électronique. De ce fait, votre adoucisseur régénère automatiquement lorsque c'est nécessaire, à tout moment de la journée. Le concept Kinetico avec 2 colonnes jumelées permet à une colonne de fournir de l'eau douce tandis que l'autre régénère de manière à avoir de l'eau adoucie en permanence.

Mon eau n'est plus douce. Comment savoir si la régénération de mon système fonctionne correctement ?

Vérifiez que l'adoucisseur n'est pas mis hors-circuit. Suivez les instructions de la page F12 pour régénérer manuellement les colonnes de l'adoucisseur. Si l'appareil ne déclenche pas la régénération suivante automatiquement, contactez votre distributeur Kinetico régional pour obtenir de l'assistance.

Mon système semble régénérer plus fréquemment. Est-ce normal ?

N'oubliez pas que le système Kinetico fonctionne à la demande et s'ajuste automatiquement à la quantité d'eau que vous utilisez. Si vous ne pensez pas que la quantité d'eau utilisée a augmenté à cause d'invités, de lessives supplémentaires ou d'autres raisons, vérifiez que la plomberie, les robinets et les toilettes ne fuient pas. Tous ces facteurs peuvent contribuer à une régénération plus fréquente.

Comment puis-je savoir quand il est temps d'ajouter du sel ?

Soulevez le couvercle du bac à sel pour vérifier le niveau du sel. Si vous pouvez voir l'eau, c'est qu'il est temps d'ajouter le sel. Vous pouvez ajouter du sel à chaque fois qu'il y a assez de place pour au moins un sac. Cependant, ayez toujours à l'esprit que de maintenir le bac à sel complètement plein peut contribuer à la formation d'un pont de sel (voir la page F13).

Est-il bon de boire l'eau adoucie ?

Oui, l'eau est bonne pour la boisson ou la cuisson des aliments. Si votre adoucisseur d'eau régénère avec du chlorure de sodium (sel), ayez toujours à l'esprit qu'il y aura un peu de sodium supplémentaire ajouté à l'eau adoucie (voir la page F11). Les personnes qui suivent un régime désodé, devraient considérer le sodium supplémentaire en tant qu'élément de leur prise globale de sodium. Pour de l'eau de boisson de la plus haute qualité possible, un système d'eau de boisson par osmose inverse Kinetico élimine jusqu'à 98 % du total des solides dissous de votre eau.

— • —

Si à tout moment, vous pensez que votre système Kinetico de traitement d'eau ne fonctionne pas correctement, mettez-le en position «by-pass» (hors circuit) et contactez votre distributeur régional agréé Kinetico. Pour maintenir la capacité du système d'éliminer le baryum et le radium, assurez-vous qu'il fonctionne correctement. L'eau adoucie indique que l'élimination des contaminants se produira comme prévu. Contactez votre distributeur régional pour obtenir des informations et des instructions sur la manière de tester la dureté de votre eau.



Les adoucisseurs d'eau Kinetico Premier Series^{MC} sont testés et certifiés par WQA selon les exigences de la norme 44 NSF/ANSI pour les performances des adoucisseurs et la réduction chimique du baryum et du radium, 226/228. Ils sont aussi certifiés selon la norme 372 NSF/ANSI, Système de purification d'eau potable - Teneur en plomb et la norme B483.1 de CSA - Systèmes de traitement de l'eau potable.

*Q850 OD XP w/Chloraban^{MC} n'a pas été testé et certifié par WQA.



GLOSSAIRE

Automatique : adoucisseurs ou filtres de lavage à contre-courant dont la régénération débute à horaire fixe.

Lavage à contre-courant : rinçage à haute vitesse des résines d'adoucissement ou des filtres, normalement en flux ascendant.

Saumure : solution salée utilisée pour régénérer la résine.

Réservoir à saumure : sert à conserver le sel utilisé pour fabriquer la saumure de régénération.

Dérivation : robinets actionnés manuellement pour détourner la circulation au point d'entrée du système, ou détournement automatique de la circulation d'eau durant la régénération à l'intérieur d'un contrôleur dans le cas d'un réservoir simple au point d'entrée.

Charbon : Charbon activé présent dans les équipements de traitement au point d'entrée, utilisé pour la déchloration et la réduction du goût et de l'odeur de l'eau.

Chloraban^{MC} : Média de filtration à rendement élevé avec capacité de réduction exceptionnelle de la chloramine afin de réduire son goût et son odeur dans l'eau

Système de traitements combinés : Système à deux traitements (filtration/adoucissement) fonctionnant à l'aide de quatre réservoirs d'agents distincts et d'une commande.

Contre-courant : la circulation de l'eau lors du service et celle de l'eau lors du cycle de régénération sont de sens contraires.

DIR : régénération sur demande (demand initiated regeneration).

Flux descendant : sens de la circulation d'eau suivant la gravité, à travers la résine et les agents de filtration.

Rendement : réfère au nombre de grains de dureté enlevés par livre de sel, pour un adoucisseur d'eau donné.

gpg : grains de dureté par gallon. 1 US gpg = 17,1 ppm de dureté (CaCO₃).

gpm : gallons par minute.

gpp : grains par gallon (rendement du sel).

Macrolite^{MC} RX : agent de filtration en céramique de synthèse.

Compteur : appareil pour mesurer le débit d'eau en service au point d'entrée dans les adoucisseurs d'eau et les filtres conçus pour une régénération à la demande.

- Micron** : micromètre (μm), unité pour mesurer le diamètre des particules solides.
- Overdrive** : Flux du service en parallèle, c.-à-d. que l'eau passe en même temps dans les deux réservoirs.
- ppm** : parties par million.
- Débit de pointe** : procédé conçu pour permettre un débit maximal lors de demandes élevées au filtre de point d'entrée ou à l'adoucisseur.
- POE** : point d'entrée (Point of Entry). système installé à l'entrée d'eau du domicile.
- psi** : livres par pouce carré.
- Régénération** : processus servant à rétablir la capacité d'échange d'un adoucisseur.
- Résine** : dans le cas des adoucisseurs au point d'entrée, billes d'échange de cations d'acide fort sous forme de sodium ou potassium.
- Désinfection** : ajout périodique d'un désinfectant, tel que le chlore, pour effectuer un contrôle microbiologique.
- Débit de service** : débit d'eau traitée par un système de traitement au point d'entrée, souvent mesuré sur la base de 15 livres par pouce carré de perte de charge.
- Simplex** : adoucisseur ou filtre utilisant un réservoir d'agents.

Systeme d'adoucissement



Nom du distributeur: _____

Adresse du distributeur: _____

Site Internet: _____

Courriel: _____

N° de téléphone du distributeur: _____

Nom du vendeur : _____

Numéro du modèle: _____

Date d'installation: _____

Nombre de personnes dans la maison: _____

Numéro du disque du débitmètre: _____

Dureté: _____ gpg

Fer ferreux: _____ ppm

Fer ferrique: _____ ppm

pH: _____

TDS: _____ ppm

Sulfure d'hydrogène: _____ ppm

Température: _____

Pression: _____

ABLANDADORES DE AGUA DE ALTO DESEMPEÑO Y SISTEMAS DE COMBINACIONES

MANUAL DEL PROPIETARIO



La unidad se muestra con Kinetico SuperKit® opcional

Felicitaciones por elegir equipos Kinetico para mejorar la calidad de su agua. Usted empezará a notar inmediatamente los numerosos beneficios de tener agua de calidad en todo su hogar al contar con un sistema de tratamiento de agua Kinetico.

Desde 1970 Kinetico Incorporated ha diseñado y fabricado productos para mejorar la calidad de su agua. Kinetico ofrece una línea completa de sistemas de tratamiento de agua para solucionar sus problemas. Fuimos pioneros en el desarrollo de equipos no eléctricos regenerados en base a demanda de agua, Kinetico continuamente señala la dirección que debe seguir la industria que se preocupa por la calidad del agua.

INDICE DE CONTENIDOS

Ablandadores de agua Kinetico y sistemas de combinaciones.....	E3
Las cosas que hacen que el ablandador de agua Kinetico Premier Series® XP sea diferente, son las mismas que hacen que sea mejor.....	E5
Funcionamiento de su ablandador de agua	E7
Sistemas combinados Kinetico	E8
Manteniendo a su sistema.....	E10
Cambiando el filtro	E10
Añadiendo regenerante	E11
Medidor de regeneración XP	E12
Regeneración manual	E12
By-pass.....	E12
Protección contra el climas frío.....	E13
Sanitizando el sistema.....	E13
Limpieza du hierro	E13
Puente de sal.....	E13
Preguntas frecuentes	E14
Glosario de términos	E16
Diagrama de un sistema de ablandamiento	E17
Registro de mantenimiento	E18

Kinetico Incorporated

10845 Kinsman Rd.
Newbury, Ohio, 44065
USA
www.kinetico.com

Kinetico Canada Incorporated

21 Parr Blvd., Unit 10
Bolton, ON L7E 4G3
Canada
www.kinetico.com

Kinetico Denmark

ApS
Sandvadsvej7
4600 Køge
Denmark

Kinetico UK Limited

Bridge House
Park Gate Business Centre
Chandler's Way
Park Gate SO 31 1FQ
England
www.kinetico.co.uk

Kinetico France

Sarl
B.P. 80528 Osny
95528 Cergy-Pontoise Cedex
France
www.kinetico.fr

Kinetico Germany GmbH

Bunzlauerstrasse 12-D
Höher-Grenzhausen
Germany 56203

ABLANDADORES DE AGUA KINETICO Y SISTEMAS DE COMBINACIONES

Ahora que su sistema Kinetico está instalado, usted puede empezar a disfrutar todos los beneficios de tener agua blanda. Si usted no está acostumbrado al agua blanda, aquí le daremos algunas sugerencias a seguir para obtener el máximo beneficio de su nuevo sistema.

COMO UTILIZAR EL AGUA BLANDA

Utilice jabón puro.

1 La mayoría de las marcas de jabones, detergente, limpiadores y champú contienen grandes cantidades de detergentes. Los químicos agresivos en estos detergentes son necesarios cuando se utiliza agua dura, pero usted puede reducir su uso o eliminarlos completamente si utiliza agua blanda. Nosotros recomendamos que usted utilice productos de jabón puro sin aditivos; jabones líquidos sin perfumes ni colorantes, si usted continúa usando sus detergentes normales, usted debería reducir significativamente la cantidad usada. Su distribuidor Kinetico le puede proveer con más información y recomendar la cantidad de detergente apropiada.

Utilice menos jabón y limpiadores en su hogar.

2 Cuando utilice jabón o limpiadores con agua blanda, empiece por reducir a la mitad la cantidad de jabón que utiliza normalmente. Usted incluso se dará cuenta que puede utilizar hasta una cuarta parte de la cantidad que estaba utilizando antes. Los minerales en el agua interfieren con la habilidad limpiadora del jabón. Una vez que son removidos, el jabón puede hacer su trabajo mucho mejor. Aun cuando usted utilice menos jabón, usted obtendrá mejores resultados y mayor limpieza.

Es especialmente importante el reducir la cantidad de jabón de lavar que usted utilice. El lavar la ropa en agua blanda no solo significa que usted necesitará menos jabón para lavar su ropa, sino también que el jabón que usted utiliza se enjuagará completamente. El lavar su ropa en agua blanda hará que la misma se vea más blanca y brillante, además los tejidos de la misma durarán mucho más. Es muy importante el retirar su ropa de la lavadora una vez que termine el ciclo de lavado. De lo contrario, el moho y un olor a humedad se podrían desarrollar. El detergente puede manchar su ropa otra vez, Kinetico recomienda que usted utilice jabones líquidos transparentes sin perfumes ni colorantes.

Después de bañarse con agua blanda, su piel se sentirá “resbalosa”. No quiere decir que el jabón se mantenga en su piel. Lo que está sintiendo es la suave textura de su piel sin ningún residuo de jabón o minerales. Cuando usted se baña en agua dura, usted nunca fue capaz de enjuagarse este residuo completamente. El residuo de jabón que deja una mancha en su bañera también lo deja en su piel. Pero ahora que usted utiliza agua blanda, usted se sentirá suave, terso y limpio. Lo mismo aplica para cuando se enjuague el shampoo de su pelo.



3 Disminuya o elimine el uso de suavizantes de ropa.

Los textiles lavados en agua dura mantienen un residuo de jabón que hacen que el tejido “suene” cuando es removido de la secadora o hacen que el tejido se quede tieso si se seca al ambiente. Se requieren suavizantes de ropa cuando utiliza agua dura para lavar su ropa para mantener a su ropa blanda, pero con el uso de agua blanda usted puede reducir el uso de ablandadores de textiles o eliminarlos por completo.

4 Precauciones con las lavadoras automáticas de platos.

El agua blanda cuando se combina con los fosfatos cáusticos utilizados en algunos detergentes y la alta temperatura de un ciclo de secado, pueden rayar la vajilla y los cristales. Para prevenir esta posibilidad:

- Utilice el ciclo de secado “sin calor” en su lavavajillas.
- Utilice la menor cantidad de un detergente de buena calidad, bajo en fosfatos para lavar su vajilla. Esto puede ser tan poco como un 20% de la cantidad recomendada por el fabricante del equipo lavavajillas o del fabricante del detergente limpiador.
- Lave porcelana y cristalería fina a mano.

5 Cuidados especiales para peces y plantas.

Dependiendo del nivel de dureza, cantidad de lluvias y el que tan frecuentemente usted riegue sus plantas, usted pudiera utilizar agua blanda para regar sus plantas, ¿pero para qué desperdiciar su agua blanda? Riegue sus plantas, arbustos y césped desde una llave externa con agua sin tratar, o coloque su unidad Kinetic en by-pass antes de iniciar su riego. Léase “By Pass” en pagina E12 para mayor explicación sobre cómo poner su unidad en “By Pass”. Muchas plantas de interiores pueden regarse con agua blanda, sin embargo algunas pueden ser sensibles a un elevado nivel de iones de sodio en el agua blanda. Usted pudiera preferir el regar las plantas de interiores con agua dura o con agua proveniente de un sistema de osmosis inversa Kinetic.



Los peces que estén acostumbrados al agua dura pueden tener problemas con un cambio repentino al agua blanda. Asegúrese que el cambio es gradual y dentro de un periodo de entre 7 a 14 días al mezclar agua blanda con agua dura hasta que el tanque contenga un 100 por ciento de agua blanda. Una vez que usted empiece a utilizar agua blanda notará que su estanque de peces se mantiene limpio por más tiempo.

LAS COSAS QUE HACEN QUE EL ABLANDADOR DE AGUA KINETICO PREMIER SERIES® XP SEA DIFERENTE, SON LAS MISMAS QUE HACEN QUE SEA MEJOR

Los sistemas para tratamiento de agua Kinetico son impulsados por la energía del agua en movimiento, no por electricidad. Así que no hay nada que conectar, no hay botones que presionar, timers o solenoides que calibrar o ajustes que realizar. Usted realmente no necesita nada especial para operar su sistema de tratamiento Kinetico, esta unidad funciona por si sola.

Su unidad Kinetico tiene incorporado un medidor de agua, el que permite que opere “bajo demanda”, basado en su consumo actual de agua. Con esta operación en base a demanda, su sistema Kinetico puede regenerarse a cualquier hora del día o noche y usted siempre tendrá bastante agua blanda disponible. La unidad se regenera cuando es necesario así que un simple tirón de la cadena de un inodoro puede hacer que su unidad Kinetico entre en regeneración. Dependiendo de su uso de agua, su unidad Kinetico puede regenerarse más frecuentemente (si su hogar está recibiendo visitas por ejemplo) o puede no regenerarse por días (si usted está de vacaciones). La operación en base a la demanda asegura una eficiencia máxima al mismo tiempo que le provee con un flujo continuo de agua blanda aun cuando sus patrones de consumo cambien.

El proceso de regeneración de una unidad Kinetico es diferente de otros sistemas. Las unidades Kinetico utilizan un proceso llamado regeneración contracorriente (en vez de la regeneración antigua de 4 ó 5 ciclos) que ha sido reconocida como el proceso más óptimo para regenerar una resina (Fig.1). Kinetico puede hacer uso efectivo de este proceso ya que nuestros equipos se regeneran con agua blanda.

El diseño de tanques gemelos Kinetico le provee con un abastecimiento continuo de agua blanda a cualquier hora del día, aun cuando la unidad se esté regenerando. Cuando un tanque necesita regenerarse, el servicio se cambia automáticamente hacia el otro tanque (Fig.2). Así que no se preocupe y lave toda su ropa en un día, su unidad Kinetico puede proveerle de agua blanda sin preocupaciones.

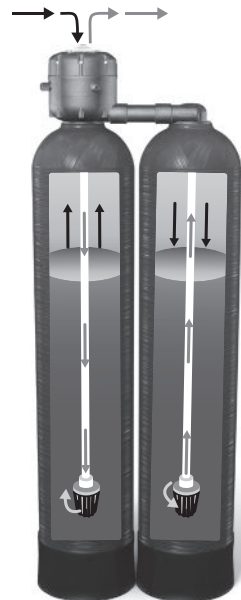


Fig. 1

Regeneración altamente eficiente

Los sistemas Kinetico se limpian con agua blanda utilizando regeneración en sentido inverso. Con este proceso se reduce la cantidad de regenerante a utilizar y regenera el lecho de resinas más eficazmente.



Fig. 2

Diseño de tanques gemelos “Twin”

Los tanques gemelos proveen de un flujo ininterrumpido de agua blanda las 24 horas del día.

MEJORADOS CON OVERDRIVE®

Seleccione una unidad Kinetico para ablandamiento o filtración o mejor aun, un sistema combinado que le ofrece el sistema de Overdrive para un mejor desempeño y eficiencia. Con los modelos Overdrive, usted puede esperar un mayor flujo sin comprometer su calidad de agua.

La unidad Overdrive dirige el flujo de agua a través de ambos tanques del sistema simultáneamente durante los ciclos de servicio. El flujo de agua es distribuido por igual entre los tanques incrementando el flujo, al mismo tiempo que incrementa el tiempo de contacto con el lecho y disminuye la pérdida de presión a través del sistema. Durante el ciclo de regeneración, un tanque está disponible para proveer de un flujo normal de servicio. Cuando el ciclo está completado, ambos tanques son colocados inmediatamente en servicio.

Si tiene alguna pregunta o necesita mayor ayuda, contacte a su distribuidor autorizado Kinetico.

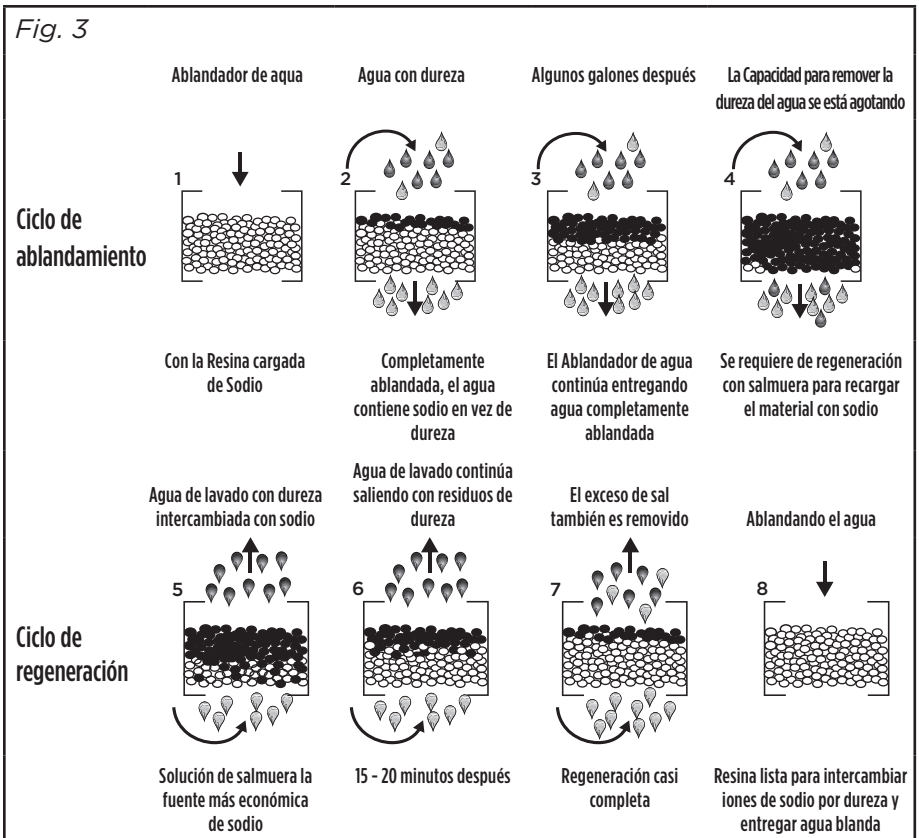
NOTA: repare grifos que gotean, inodoros defectuosos o tuberías rotas para garantizar un óptimo desempeño de su unidad.

FUNCIONAMIENTO DE SU ABLANDADOR DE AGUA

El agua dura contiene calcio y magnesio. Su sistema de agua Kinetico contiene resinas esféricas muy pequeñas que retienen iones de sodio. Cuando el agua dura pasa a través de las resinas dentro de la unidad (Fig. 3), las resinas atraen y atrapan los iones de calcio y magnesio y los intercambian por los iones de sodio. Después de este proceso de intercambio iónico, el agua blanda sale de su unidad Kinetico.

Una vez que el lecho de resina ha sido cargada con iones de calcio y magnesio, estos deben ser descartados y la resina limpiada (o regenerada) de manera que pueda continuar ablandando el agua. La sal en su tanque de almacenamiento se mezcla con el agua para limpiar los granos de resina. La solución de salmuera afloja y libera los minerales de dureza que han sido retenidos por la resina, luego el sistema se retrolava y enjuaga al tiempo que envía todos los minerales de dureza y solución salina al drenaje.

Una vez que este proceso se completa, los granos de resina contendrán iones de sodio. El sistema está listo para intercambiar iones de sodio para retener iones de calcio y magnesio.



A diferencia de la mayoría de otros sistemas para tratamiento de agua, el proceso de limpieza y regeneración se realiza con agua blanda. Ya que usted conoce que diferencia hace el utilizar agua blanda para realizar la limpieza de su hogar, entonces usted entenderá la importancia de que su unidad se limpie también con agua ablandada. Solamente se utiliza agua limpia y blanda para realizar la dilución de la sal en el tanque de almacenamiento de salmuera.

SISTEMAS COMBINADOS KINETICO

Su sistema combinado Kinetic es dos sistemas en uno solo, provee capacidad de filtración además del ablandamiento realizado por un sistema estándar. Los sistemas combinados tienen las mismas ventajas que hacen a nuestros sistemas únicos (véase la sección, “Que nos hace diferentes..”) así como tecnologías adicionales que están diseñadas para proveerlo con la mejor calidad de agua posible.

KINETICO OFRECE LOS SIGUIENTES MODELOS COMBINADOS:

Premier Series® Q850 XP y Q850 OD XP*

Sistema ablandador de agua de alta eficiencia con dos tanques de carbon activa para la deoloración de toda la casa. Reducir el cloro en su agua le permite disfrutar de duchas sin olor, eliminar la resequeidad de la piel por causa del cloro y evitar el desvanecido/decolorado prematuro de su ropa y sus blancos favoritos.

Premier Series Q850 OD XP -Chloraban®

Sistema ablandador de agua de alta eficiencia, con dos tanques de Chloraban para la deoloración de todo el hogar. La reducción de la cloramina del agua le permite disfrutar de duchas sin olor, eliminar la resequeidad de la piel por causa de la cloramina y evitar que su ropa y sus blancos favoritos destiñan o decoloren prematuramente.

** Overdrive dirige el flujo de agua simultáneamente a través de ambos tanques del sistema durante los ciclos de servicio.*

La reducción de cloro/cloramina no es parte de la certificación según la norma 44 de NSF/ANSI.

CUIDADO Y MANTENIMIENTO DE SU SISTEMA COMBINADO

Para asegurarse de que su sistema combinado Kinetico continúe operando con el mejor desempeño, siga los procedimientos listados en el manual de mantenimiento de su sistema indicados en la sección “manteniendo su sistema” dentro del manual del propietario.

La concentración de cloro/cloramina en un suministro de agua determinará la duración del carbón/Chloraban en sistemas combinados. Tendrá que reemplazar el carbón/Chloraban de su sistema cuando comience a notar que el agua vuelve a tener olor a cloro/cloramina. En general, se debe cambiar el carbón/Chloraban luego de algunos años, aunque este podría durar más si su suministro de agua no presenta niveles altos de cloro/cloramina.

Como los medios de filtración de Kinetico se limpian de manera automática durante la regeneración, no requiere mantenimiento adicional.

Si usted tiene preguntas adicionales acerca de la operación y mantenimiento de su sistema combinado Kinetico por favor contacte a su distribuidor autorizado Kinetico.



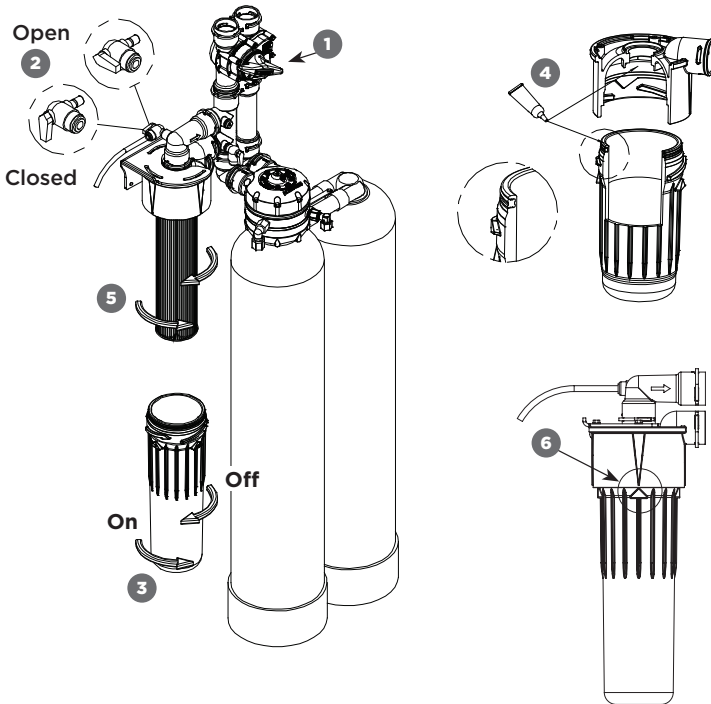
Q850 OD XP
Sistema combinado

MANTENIENDO A SU SISTEMA

Su unidad para tratamiento de agua Kinetico está diseñado para proveerlo con agua de alta calidad sin requerir de un mantenimiento extensivo. Sin embargo, sí será necesario un mantenimiento rutinario para mantener a su sistema operando apropiadamente.

CAMBIANDO EL FILTRO

El sistema Kinetico utiliza un filtro en la línea de entrada para eliminar materiales sólidos del suministro de agua de entrada. Periódicamente, habrá que reemplazar el cartucho de filtro. Será necesario cambiar el filtro cuando la presión de agua en la casa comience a bajar gradualmente. La frecuencia del cambio de filtro viene determinada por la cantidad de agua utilizada y por el contenido de materiales sólidos de su suministro de agua.



Procedimiento

1. Corte el suministro de agua al filtro; para ello, mueva la válvula de by-pass **1** a la posición BY-PASS.
2. Gire lentamente el mango de la válvula de alivio de presión **2** a la posición OPEN. Espere al menos un minuto para que el sistema se despresurice y para minimizar el derrame.
3. Después de despresurizar, retire el alojamiento del filtro **3** al girarlo en el sentido de las manecillas del reloj (a la derecha visto desde arriba) con las dos manos.
4. Retire el cartucho nuevo y todo el contenido del empaque protector y ponga el cartucho usado en la bolsa.
5. Retire el cartucho usado; para ello, gírelo en el sentido de las manecillas del reloj. Deseche el cartucho usado con la bolsa o límpielo y almacénelo para volverlo a usar.
6. Inspeccione y limpie el sello del alojamiento y el O-ring del adaptador, si es necesario. Usando el paquete de silicona incluido, lubrique todo el sello, el O-ring y la superficie de sellado en la cabeza del filtro **4**.
7. Instale el nuevo cartucho en el adaptador de cartucho al girarlo en sentido inverso a las manecillas del reloj hasta que se detenga **5**.
8. Instale el alojamiento del filtro al girarlo en sentido inverso a las manecillas del reloj hasta que se detenga. **IMPORTANTE:** Compruebe la alineación de las flechas para asegurar que el armado sea correcto **6**.
9. Gire el mango de la válvula de alivio de presión a la posición CLOSED **2**.
10. Corte lentamente el suministro de agua al filtro; para ello, mueva la válvula de by-pass a la posición VERDE— “EN SERVICIO”.

* Su válvula de válvula de by-pass puede ser diferente de la que aparece en la ilustración.

** Es posible que la válvula de alivio de presión esté en una ubicación diferente a la mostrada en la ilustración. De ser necesario, comuníquese con su distribuidor Kinetico para solicitar asistencia.

NOTA: *Los tipos de filtros varían y es posible que el suyo no sea exactamente igual al descrito arriba.*

AÑADIENDO REGENERANTE

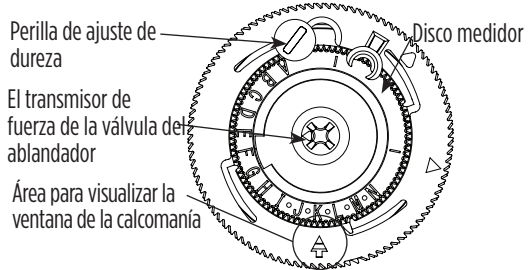
(SAL PARA ABLANDAMIENTO O CLORURO DE POTASIO)

Asegúrese que su tanque de almacenamiento de sal nunca se quede sin regenerante. Reponga el regenerante antes de que el agua sea visible en el tanque de salmuera o en el recipiente del ablandador (en los modelos con recipiente de ablandador). Utilice sal para ablandadores de agua marca Kinetico, disponible en la mayoría de los distribuidores Kinetico o puede también utilizar otra marca de sal. Algunos tipos de sal tienen impurezas y partículas que pueden causarle problemas a su sistema, asegúrese que está utilizando sal de alta calidad, procesada especialmente para uso en ablandadores de agua. Si usted prefiere el uso de cloruro de potasio, contacte a su distribuidor autorizado Kinetico para averiguar los ajustes que se recomiendan para su sistema. Su distribuidor Kinetico puede también recomendar o realizar un programa de mantenimiento periódico. **NO UTILICE SAL DE ROCA**, ya que ésta usualmente contiene niveles significantes de sedimento o materiales extraños.

MEDIDOR DE REGENERACIÓN XP

Esta válvula permite ajustar la frecuencia de regeneración según la dureza del agua de entrada. Esto mejora el desempeño y reduce el consumo de agua. El medidor del sistema integrado controla el volumen de agua procesado y después de alcanzar el punto de ajuste, empieza el proceso de regeneración. Un representante de servicio autorizado por Kinetico debe efectuar el ajuste del Perilla de ajuste de dureza.

Vista superior de la válvula del ablandador



NOTA: Los colores reales de los discos pueden variar. Los colores que se muestran son solo para fines de ilustración.

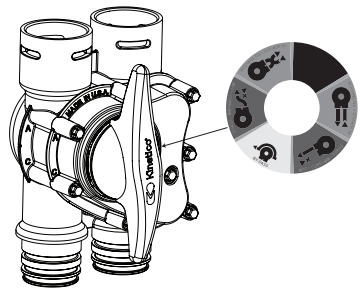
REGENERACIÓN MANUAL

Si se termina la sal del tanque de almacenamiento, puede regenerar manualmente la unidad después de añadir sal. Use un destornillador Phillips #2 para empujar firmemente sobre el tornillo de la válvula del ablandador y lentamente gire hacia la derecha para iniciar la regeneración. En este punto, debe escuchar que el agua comienza a correr a través del sistema. Si no lo escucha, significa que el disco no ha avanzado lo suficiente. Repita el procedimiento de regeneración manual después de que se haya detenido el flujo de agua (11 a 90 minutos, según el modelo) para asegurarse de que ambos tanques se hayan regenerado.

NOTA : Si el tanque de su calentador de agua contiene agua dura, es probable que transcurran varios días para que se vacíe y para que su agua se sienta blanda otra vez.

BY-PASS

Puede haber momentos cuando usted necesite cerrar el paso de agua en toda su casa. Para hacer esto, fije la válvula de by-pass en la posición ROJA— “OFF”. El agua no entrará a la casa. Para reiniciar el agua, fije la válvula de by-pass en la posición VERDE— “EN SERVICIO”. Usted puede poner el ablandador en by-pass en cualquier momento según su necesidad, para esto ponga la válvula de by-pass en la posición AMARILLA “BYPASS”. Usted obtendrá agua en toda la casa; sin embargo ya que esta agua no atraviesa el equipo será agua sin tratar. Para volver a usar el ablandador, fije la válvula de by-pass en la posición VERDE— “EN SERVICIO”.



NOTA: Los estilos de las llaves de by-pass varían y la suya puede no ser como la unidad descrita. Contacte a su distribuidor Kinetico para mayor información.

PROTECCIÓN CONTRA EL CLIMA FRÍO

Si su equipo para tratamiento de agua marca Kinetico es instalado en exteriores o en un lugar donde no existe calefacción o protección contra las bajas temperaturas usted deberá tomar medidas preventivas para prevenir el daño de su unidad por congelamiento.

NOTA: *La garantía Kinetico no cubre los daños causados por congelamiento de la unidad. Si usted tiene alguna pregunta acerca de su sistema Kinetico, o si usted sospecha que no está operando apropiadamente, contacte al distribuidor autorizado Kinetico.*

SANITIZANDO EL SISTEMA

Los sistemas para tratamiento de agua marca Kinetico están diseñados para ser usados en agua microbiológicamente segura. Si la calidad de agua que recibe su hogar está comprometida por alguna razón (por ejemplo una emergencia sanitaria en el sistema de distribución de agua municipal o por un test positivo de bacterias en el análisis de agua), usted deberá poner la unidad en By-pass hasta que la seguridad bacteriológica haya sido reestablecida. Usted deberá contactar a su distribuidor Kinetico para sanitizar el sistema antes de regresar la unidad a servicio.

LIMPIEZA DE HIERRO

Si la fuente de ingreso de agua contiene hierro, es una buena idea utilizar sal que contenga un aditivo limpiador de hierro, por ejemplo sal Kinetico con aditivo "Iron Fighter". El aditivo para limpieza del hierro prevendrá que el hierro dañe o tapone la resina y mantendrá a su sistema en una condición óptima. Además puede usted también añadir agentes limpiadores de hierro en forma de polvo en el tanque de salmuera cuando usted añada sal. Contacte a su distribuidor Kinetico para mayor información adicional sobre la limpieza del hierro.

PUENTE DE SAL

El regenerante en el tanque de salmuera puede bajo ciertas condiciones, solidificar y formar un "puente de sal" previniendo que el sistema produzca su solución de salmuera para la regeneración. Las condiciones que contribuyen a crear un puente de sal incluyen un alto nivel de humedad, bajo nivel de agua y poco consumo de sal, o el uso de cloruro de potasio (KCL) como regenerante. Si un puente de sal ocurre, usted puede tratar de romper la sal solidificada empujándola suavemente con un palo o con el mango de una escoba.

Para minimizar el potencial para el puente de sal, llene el tanque de salmuera hasta la mitad con el regenerante escogido. O considere el uso del tanque de salmuera K-Spray Brine System (equipo opcional disponible a través de su distribuidor Kinetico) que virtualmente elimina los puentes de sal.

PREGUNTAS FRECUENTES

Noto una caída de presión en mi casa. ¿Qué puede estar causándola?

Durante la regeneración del sistema, es posible que ocurra una caída temporal de la presión del agua. La reducción de la presión del agua de su casa también puede indicar que es hora de cambiar el filtro. Revise la página E10-E11 para ver las instrucciones sobre cómo cambiar el filtro. Si usted no tiene un filtro en su sistema o si cambia el filtro y no mejora su presión, contacte a su distribuidor local autorizado Kinetic.

Parece que mi sistema se esta regenerando más frecuentemente, ¿es esto normal?

Recuerde que su unidad Kinetic es operado en base a la demanda, se ajusta automáticamente a su uso de agua. Si usted no cree que su uso de agua se ha incrementado debido a invitados adicionales, lavado de ropa adicional, o por cualquier otra razón, chequee por tuberías rotas, grifos goteando o inodoros defectuosos; todos los que pueden contribuir a una regeneración más frecuente.

Mi agua no parece estar ablandada. ¿Cómo puedo estar seguro que mi sistema esta regenerándose apropiadamente?

Asegúrese de que la alimentación de agua al ablandador no esta en by-pass. Siga las instrucciones en la página E12 para regenerar manualmente los tanques Ablandadores. Si la unidad no comienza a avanzar hasta la próxima regeneración automáticamente, por favor contacte a su distribuidor autorizado Kinetic para mayor información.

Puedo oír a mi sistema Kinetic operando y/o regenerándose durante el día. Mi ablandador antiguo solo solía operar en la noche. ¿Es esto normal?

Ablandadores eléctricos de tanque sencillo tienden a ser calibrados para regenerarse en la noche debido a que durante el lapso en que dure el proceso de regeneración su hogar no dispondrá de agua tratada. A diferencia de los modelos ablandadores tradicionales, las unidades Kinetic operan en base a su demanda de agua sin timers o electrónicos. De manera que su sistema se regenera cuando es necesario, a cualquier hora del día. El diseño de tanques gemelos permite que un tanque provea agua tratada mientras el otro se regenera, de manera que usted nunca estará sin agua.

¿Cómo podré saber cuando es hora de añadir sal?

Levante la tapa del tanque de salmuera para chequear el nivel de sal. Si usted puede ver agua, entonces es hora de añadir sal. Usted puede añadir sal en cualquier momento en que pueda por lo menos añadir una bolsa. Sin embargo, esté atento a que al mantener el tanque de salmuera completamente lleno de sal pudiera contribuir a crear las condiciones necesarias para provocar que se forme un puente de sal en el tanque de salmuera (véase página E13).

¿Es seguro beber agua ablandada?

Sí, el agua blanda es segura para cocinar y para beber. Si su ablandador se regenera con Cloruro de sodio (Sal), tenga en cuenta que habrá una pequeña cantidad de sodio añadido al agua ablandada. (Véase página E12). Las personas que estén restringidas en dietas bajas en sodio deberían considerar el sodio extra añadido como parte de ingesta general de sodio. Para tomar agua de la más alta calidad posible le sugerimos una unidad de Osmosis Inversa marca Kinetico, este sistema removerá tanto como el 98% del total de los sólidos totales disueltos de su agua.



Si en cualquier momento piensa que su sistema de agua Kinetico no está funcionando correctamente, ponga el sistema en by-pass y llame a su distribuidor autorizado de Kinetico. Para asegurar que se mantiene la capacidad de reducción de bario y radio del sistema, asegúrese de que el sistema está funcionando eficazmente. El agua blanda indica que la reducción de contaminantes se producirá tal y como se esperaba. Contacte a su distribuidor local para información e instrucciones para el procedimiento de comprobación de la dureza del agua de su hogar.



Los ablandadores Kinetico Premier Series® han sido sometidos a pruebas y certificados por WQA de acuerdo a los requisitos de la norma 44 de NSF/ANSI para el desempeño del ablandador y la reducción química de bario y radio 226/228. También han sido certificados según la norma 372 de NSF/ANSI, Sistemas de agua para beber - contenido de plomo y la norma B483.1 de CSA - Sistemas de tratamiento de agua para beber.

*Q850 OD XP con Chloraban® no está probado y certificado por WQA.



GLOSARIO DE TÉRMINOS

- Automático:** Ablandadores o filtros de retrolavado que comienzan la regeneración por medio de reloj.
- Retrolavado:** Enjuague de alta velocidad de la resina o lecho filtrante, usualmente es en sentido dirigido desde abajo hacia arriba.
- Salmuera:** Solución de sal que se utiliza para regenerar la resina.
- Tanque de Salmuera:** Contiene la sal para poder generar la salmuera para la regeneración.
- By-pass:** Válvulas de operación manual para distribuir el agua alrededor de la unidad de punto de entrada, o distribución automática de agua adentro de un controlador para el punto de entrada de un tanque sencillo durante la regeneración.
- Carbón:** Carbón activado utilizado en equipos de punto de entrada para declorinación, mejorando el sabor y el olor del agua tratada.
- Chloraban®:** Medios de filtración de alto rendimiento con capacidad superior de reducción de la cloramina, para disminuir el sabor y el olor.
- Sistemas Combinados:** Unidades Dúplex combinadas, filtro/ablandador que utiliza cuatro tanques separados operados por un solo control.
- Contracorriente:** Indica que el flujo del agua cuando la unidad está en servicio y que el flujo del agua cuando la unidad está en regeneración son opuestos.
- DIR:** Regeneración iniciada en base a la demanda de agua.
- Flujo hacia abajo:** Indica la dirección del flujo de agua por gravedad a través de la resina o del medio filtrante.
- Eficiencia:** se refiere a los granos de dureza removidos por libra de sal utilizadas en un ablandador de agua.
- gpg:** Granos por galón de dureza 1 US gpg = 17.1 ppm de dureza como compuesto de CaCO_3 .
- gpm:** Galones por minuto.
- gpp:** Granos por libra (eficiencia en consumo de sal).
- Macrolite® RX:** Medio filtrante de cerámica que sirve para remoción de sedimentos o hierro oxidado del agua.
- Medidor:** Equipo para medir el flujo de agua que se destina al servicio por un ablandador o por un filtro de agua para la regeneración iniciada por demanda DIR.
- Micrón:** Unidad de medida utilizada para determinar el diámetro de las partículas a filtrar.
- Overdrive:** Flujo de servicio paralelo, por ejemplo, el agua corre simultáneamente a través de ambos tanques.

ppm: Partes por millón.

Flujo pico: Diseño máximo de flujo para uso intermitente en momentos de alta demanda para un filtro o ablandador de punto de entrada.

(POE) Punto de Entrada: Un sistema instalado donde el agua ingresa a toda la casa.

psi: Libras por pulgada cuadrada.

Regeneración: El proceso de restaurar la capacidad de intercambio a un ablandador.

Resina: Para Ablandadores de punto de entrada, resinas catiónicas con base de ácido fuerte operan en el ciclo de sodio o potasio.

Sanitizar: La adición periódica de un agente sanitizante como el cloro para tratar de controlar el desarrollo de microorganismos.

Flujo de Servicio: Agua que es procesada por una unidad de punto de entrada, usualmente medida en el momento que existe una pérdida de presión de 15 psi.

Simplex: Ablandador o filtro que usa un tanque para lecho.

Flujo hacia arriba: La dirección del flujo de agua en contra de la gravedad y a través de la resina o lecho filtrante.

Diagrama de un sistema de ablandamiento



Nombre del distribuidor: _____

Dirección del distribuidor: _____

Dirección de pagina web: _____

Correo Electrónico e-mail: _____

Teléfono del distribuidor: _____

Nombre del vendedor: _____

Modelo Número: _____

Fecha de instalación: _____

Numero de personas en la residencia: _____

Disco Medidor Número: _____

Dureza: _____ gpg

Hierro Ferroso: _____ ppm

Hierro Férrico _____ ppm

pH: _____

TDS: _____ ppm

Sulfuro de hidrógeno: _____ ppm

Temperatura: _____

Presión: _____



Kinetico makes an entire line of water treatment products designed to handle almost any water problem. For more information, contact your authorized Kinetico dealer or visit our web site at www.kinetico.com.

Kinetico fabrique une gamme complète de produits de traitement de l'eau pour répondre à la plupart des problèmes d'eau. Pour plus d'informations contactez votre concessionnaire agréé Kinetico ou visitez notre site Web à l'adresse www.kinetico.com.

Kinetico fabrica una línea amplia y completa de productos para tratamiento de agua diseñados para solucionar casi cualquier problema en el agua. Para más información, contacte a su distribuidor autorizado Kinetico o visite nuestra página web www.kinetico.com.

Like & Follow Us

Find us on Facebook and Twitter to share your story. How has your water quality changed your life?

 /KineticoWater

 @KineticoHQ

12/2019

Part No. 16522A

Printed in U.S.A.

Pièce n° 16522A

Imprimé aux États-Unis

No. de pieza 16522A

Impreso en EE.UU.

 **Kinetico**[®]
water systems

Kinetico Incorporated
10845 Kinsman Rd.
Newbury, OH 44065 USA
800.944.WATER
www.kinetico.com